

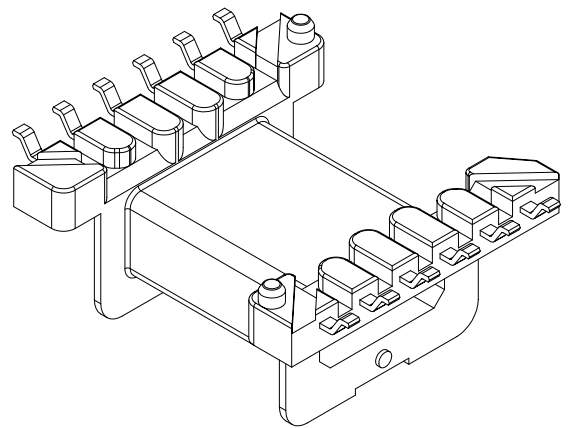
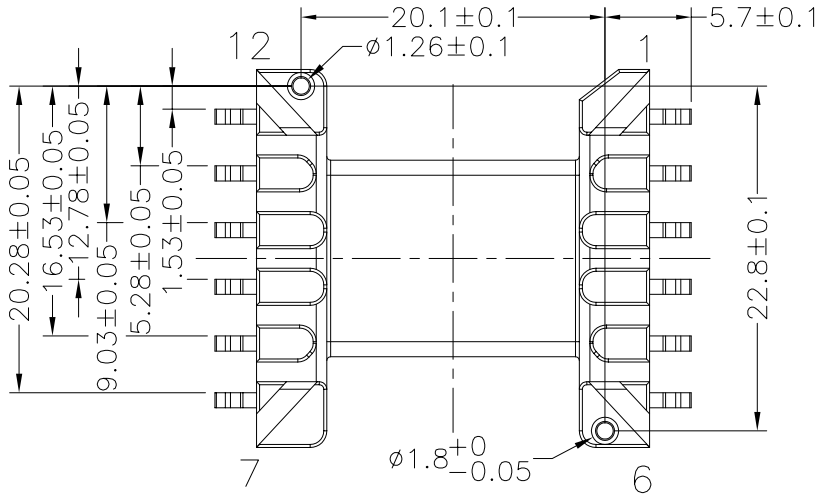
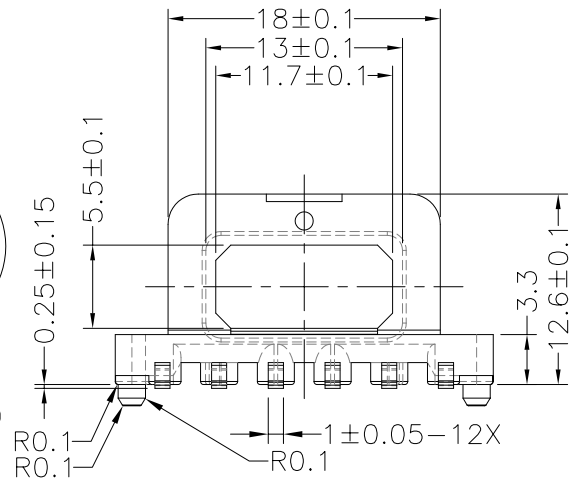
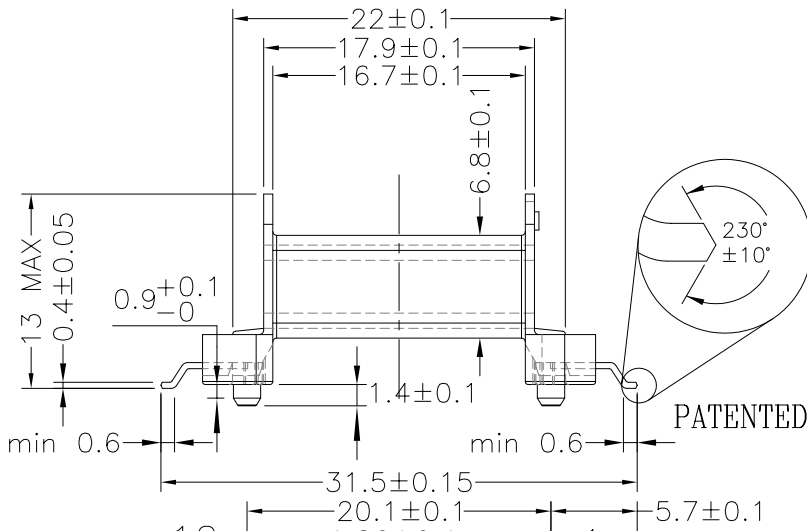
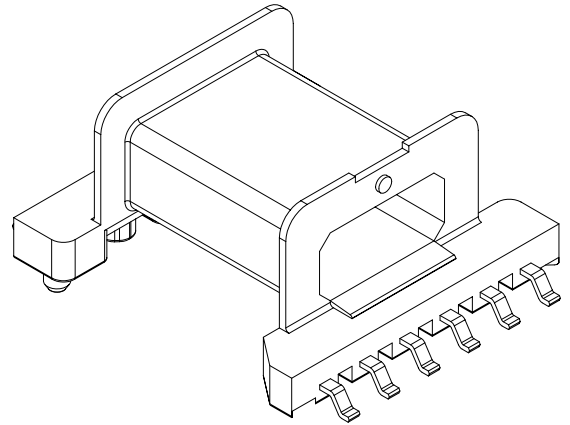
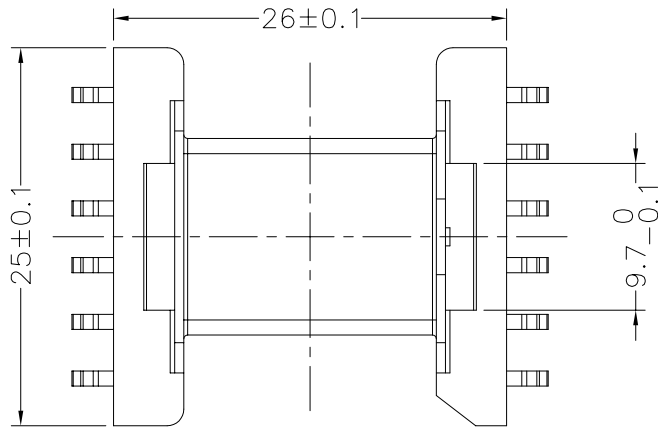


**TRANSFORMER BOBBIN
INDUSTRIAL CO.,LTD.**

Tel : 86-769-88789999 Fax : 86-769-88789989
http:// tbi-tw.com e-mail : tb6688@ms46.hinet.net

REVISIONS

REV	SYM	DRAFTER	CHECKER	DATE
3		Y.G.HSU	S.M.SHIH	01/15/07
4		Y.G.HSU	S.M.SHIH	03/13/07
5		G.F.YANG	W.H.HSU	04/03/07



DWG NO. EFD25-12P-GW-3.75-0H-1

PART NO.	MATERIAL (BOBBIN)	MATERIAL (TERMINAL)	TERMINAL (PLATING)	PIN ALLOCATION	NOTE
TBI-107-02081.103	PM-9630JT	P.B	Sn	ALL PIN	
TBI-107-02081.113	PM-9630JT	P.B	Sn	NO PIN #6	
TBI-107-02081.123	PM-9630JT	P.B	Sn	NO PIN #7	
TBI-107-02081.133	PM-9630JT	P.B	Sn	NO PIN #10	
TBI-107-02081.143	PM-9630JT	P.B	Sn	NO PIN #9	

TOLERANCE: .X±0.15 .XX±0.10 .XXX±0.05

UNIT : m / m

SCALE 2 : 1

Finish: 1. Pb wire Immersion Sn on terminal : Thickness:Sn plating,100,5 μm (200 μ inches) min,Base nickel 0.625 μm (25 μ inches) min.
2. CP wire Immersion Sn on terminal : Thickness:Sn plating,100,5 μm (200 μ inches) min.
3. Coplanarity deviation: 0.10 mm (0.004 inches) max.

REV 5