

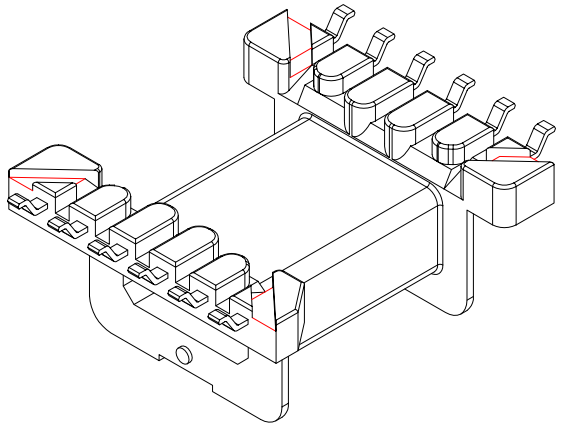
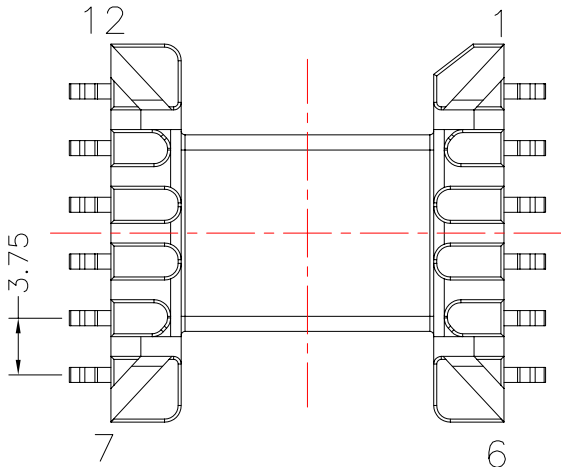
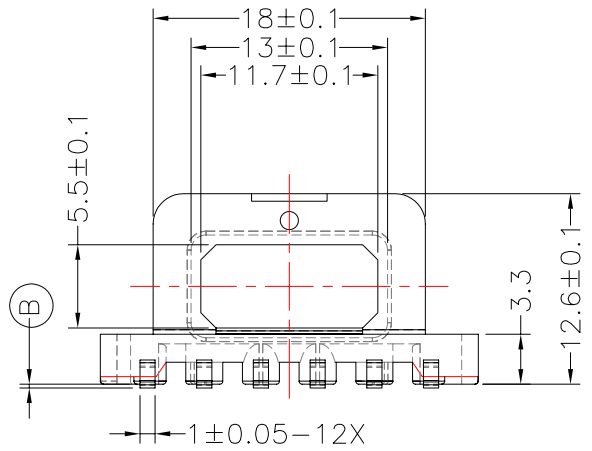
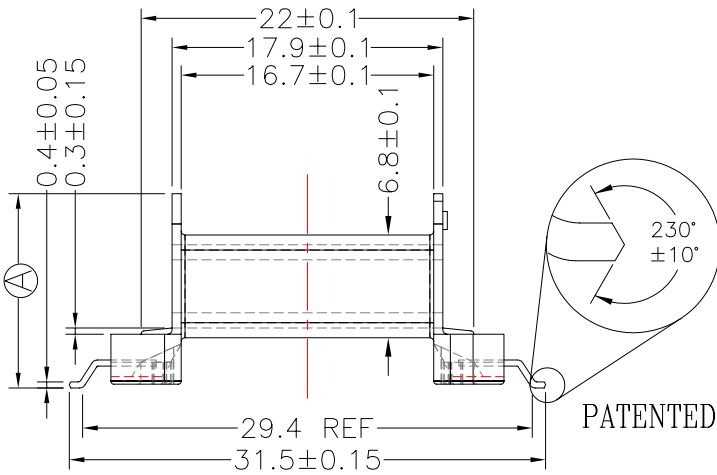
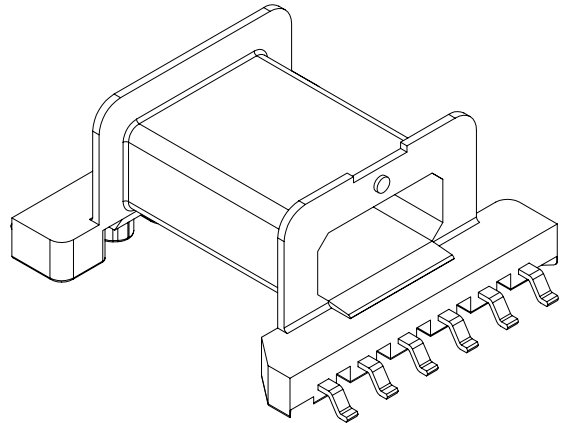
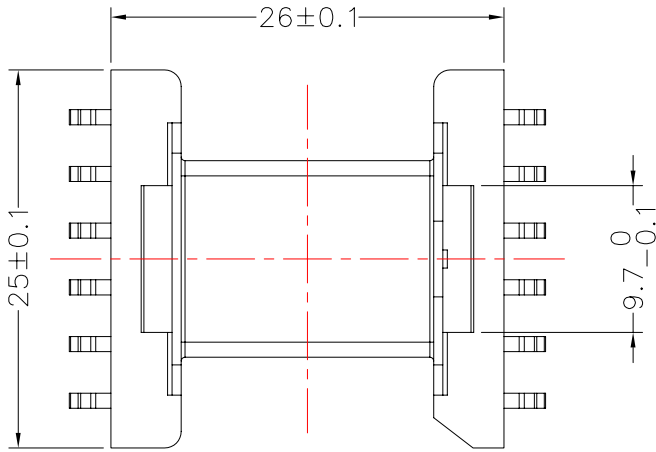


**TRANSFORMER BOBBIN INDUSTRIAL CO.,LTD.**

Tel : 86-769-88789999 Fax : 86-769-88789989  
 http:// tbi-tw.com e-mail : tb6688@ms46.hinet.net

REVISIONS

REV	SYM	DRAFTER	CHECKER	DATE
2		T.S.LII	W.H.HSU	10/31/06
3		Y.G.HSU	W.H.HSU	01/15/07
4		G.F.YANG	W.H.HSU	05/29/07



DWG NO. EFD25-12P-GW-3.75-0G-1

PART NO.	MATERIAL (BOBBIN)	MATERIAL (TERMINAL)	TERMINAL (PLATING)	PIN ALLOCATION	NOTE
TBI-107-02071.103	PM-9630	P.B(C5191)	Sn	ALL PIN (A)=13 MAX (B)=0.25±0.15	
TBI-107-02071.113	PM-9630	P.B(C5191)	Sn	CUT PIN#4,8,10 (A)=13 MAX (B)=0.25±0.15	H
TBI-107-02071.123	PM-9630	P.B(C5191)	Sn	CUT PIN #5 (A)=13 MAX (B)=0.25±0.15	
TBI-107-02071.133	PM-9630	P.B(C5191)	Sn	ALL PIN (A)=13.7MAX (B)=0.95±0.15	
TBI-107-02071.143	PM-9630	P.B(C5191)	Sn	CUT PIN#3,10 (A)=13 MAX (B)=0.25±0.15	
TBI-107-02071.153	PM-9630	P.B(C5191)	Sn	ALL PIN (A)=13.15±0.15 (B)=0.55±0.2	

TOLERANCE: .X±0.15 .XX±0.10 .XXX±0.05 UNIT : m / m SCALE 2 : 1

Finish: 1. PB wire Immersion Sn on terminal : Thickness:Sn plating,100,5 μm (200 μ inches) min,Base nickel 0.625 μm (25 μ inches) min.  
 2. CP wire Immersion Sn on terminal : Thickness:Sn plating,100,5 μm (200 μ inches) min.  
 3. Coplanarity deviation: 0.10 mm (0.004 inches) max.

REV 4