

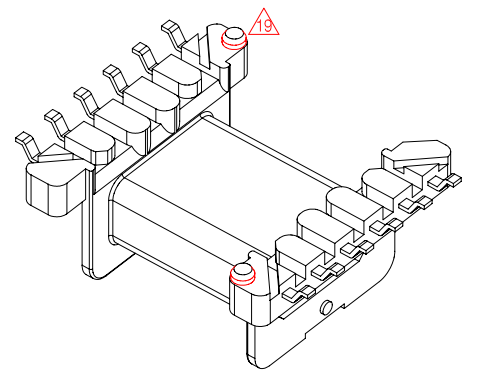
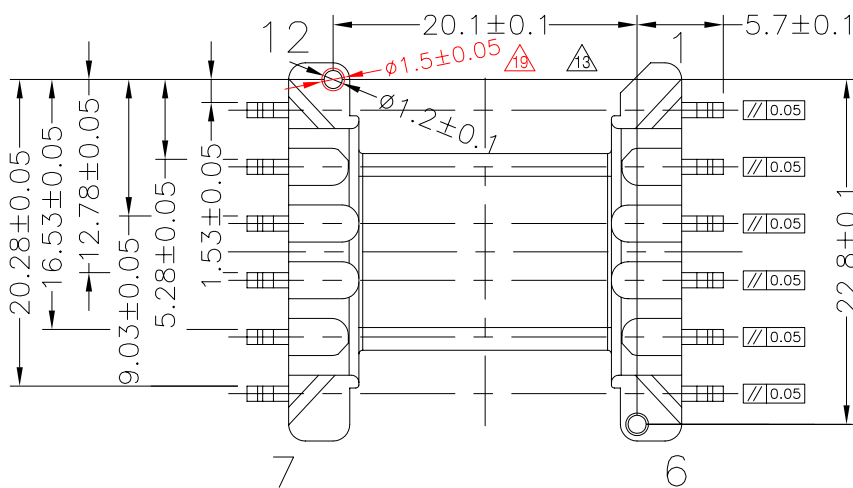
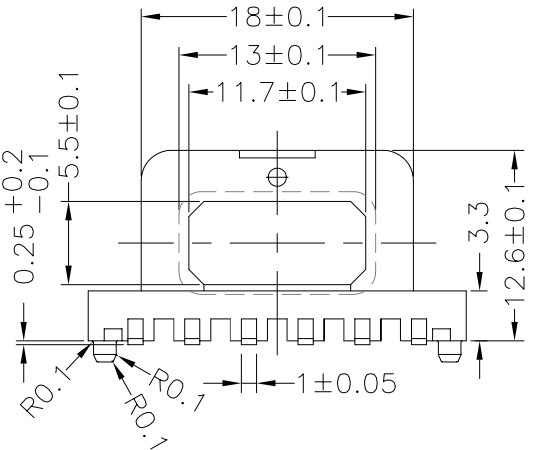
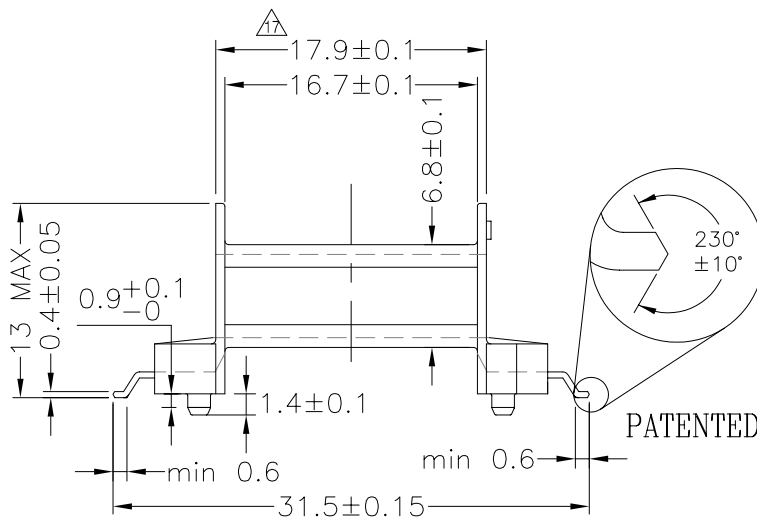
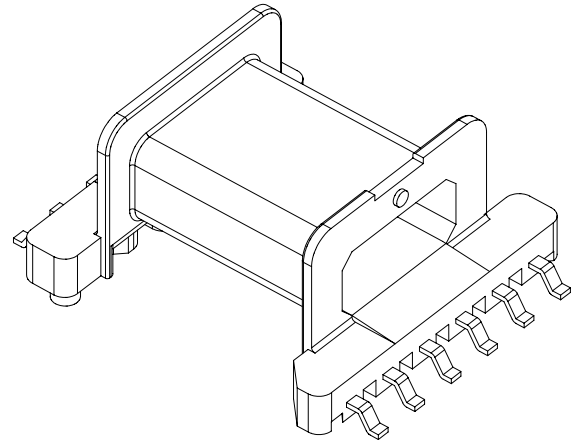
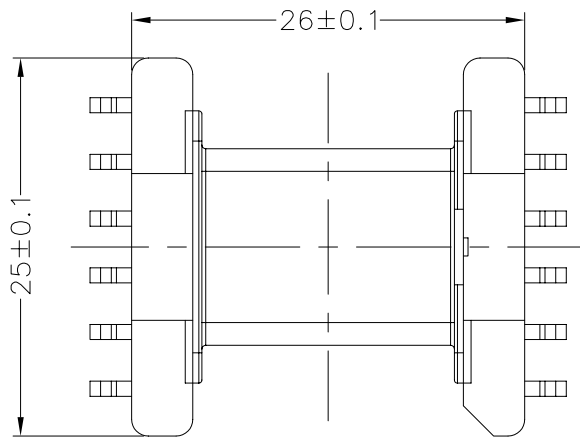


TRANSFORMER BOBBIN
INDUSTRIAL CO.,LTD.

Tel : 86-769-88789999 Fax : 86-769-88789989
http:// tbi-tw.com e-mail : tb6688@ms46.hinet.net

REVISIONS

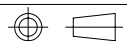
| REV | SYM | DRAFTER | CHECKER | DATE |
|-----|-----|----------|----------|----------|
| △7 | | T.S.LII | W.H.HSU | 08/30/06 |
| △8 | | X.X.YUAN | G.F.YANG | 11/26/13 |
| △9 | | X.X.YUAN | G.F.YANG | 01/24/14 |



汽車用產品

PART NO. EFD25-12P-GW-3.75-D-13

| DWG NO. | MATERIAL (BOBBIN) | MATERIAL (TERMINAL) | TERMINAL (PLATING) | PIN ALLOCATION | NOTE |
|--------------------|-------------------|---------------------|--------------------|----------------|------|
| TBI-107-02041.1303 | PM-9630JT | P,B | Sn | ALL PIN | |
| TBI-107-02041.1313 | PM-9630JT | P,B | Sn | NO PIN #6 | |
| TBI-107-02041.1323 | PM-9630JT | P,B | Sn | NO PIN #7 | |
| TBI-107-02041.1333 | PM-9630JT | P,B | Sn | NO PIN #10 | |
| TBI-107-02041.1343 | PM-9630JT | P,B | Sn | △9 NO PIN #9 | |



TOLERANCE: .X±0.15 .XX±0.10 .XXX±0.05

UNIT : m / m

SCALE 2 : 1

Finish: 1. Pb wire Immersion Sn on terminal : Thickness:Sn plating,100%,5 μm (200 μ inches) min,Base nickel 0.625 μm (25 μ inches) min.
2. CP wire Immersion Sn on terminal : Thickness:Sn plating,100%,5 μm (200 μ inches) min.
3. Coplanarity deviation: 0.10 mm (0.004 inches) max.

REV 19