

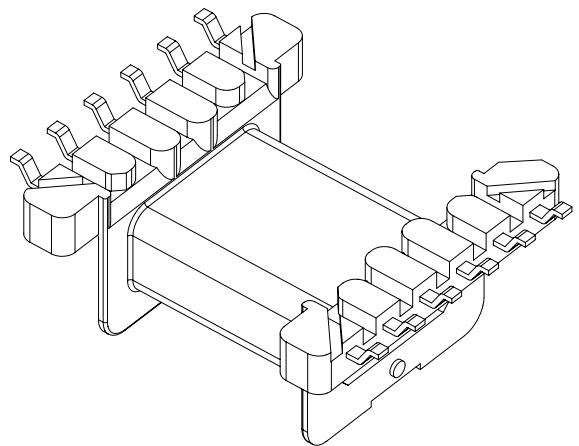
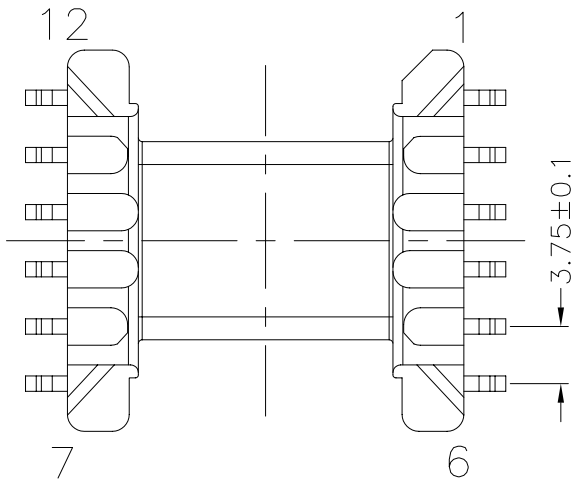
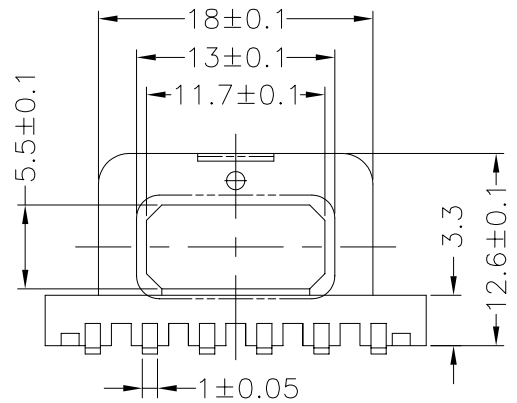
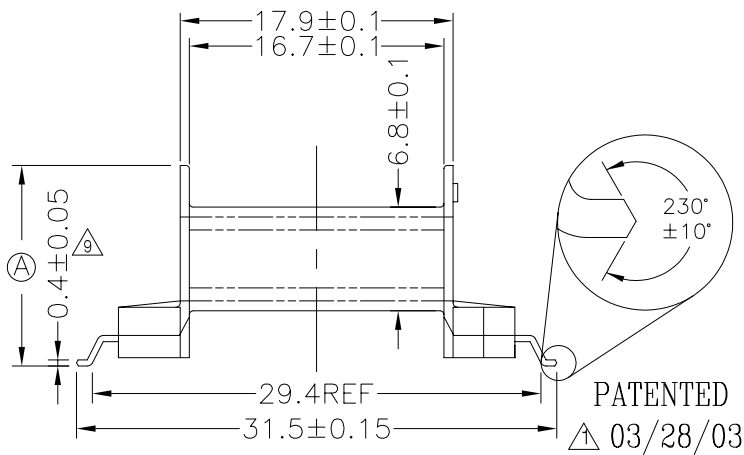
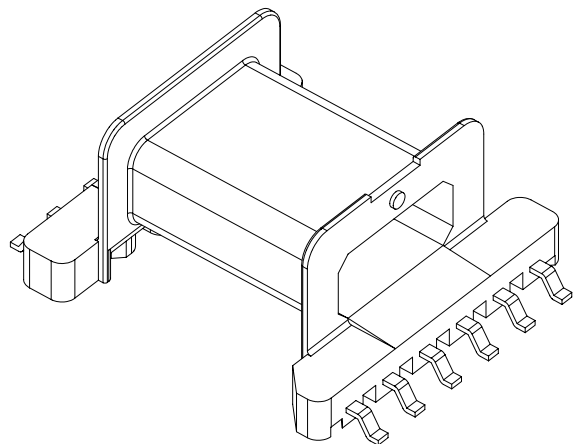
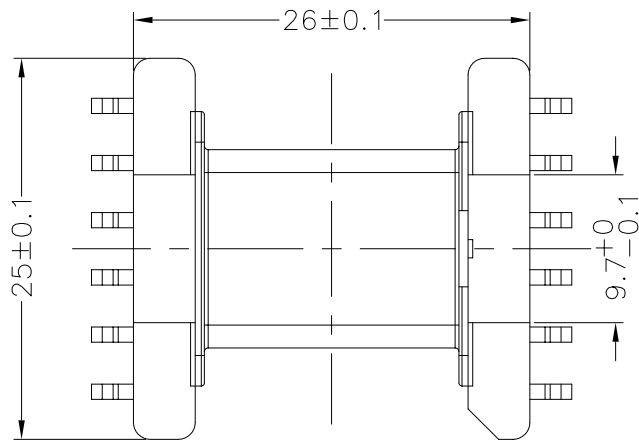


**TRANSFORMER BOBBIN  
INDUSTRIAL CO.,LTD.**

Tel : 86-769-88789999 Fax : 86-769-88789989  
http:// tbi-tw.com e-mail : tb6688@ms46.hinet.net

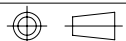
REVISIONS

REV	SYM	DRAFTER	CHECKER	DATE
7		T.S.LII	W.H.HSU	07/25/06
8		S.Y.TANG	S.M.SHIH	11/10/06
9		Y.G.HSU	W.H.HSU	04/03/07



DWG NO. EFD25-12P-GW-3.75-A-1

PART NO.	MATERIAL (BOBBIN)	MATERIAL (TERMINAL)	TERMINAL (PLATING)	PIN ALLOCATION	NOTE
TBI-107-02011.103	PM-9630JT	P.B(C5191) ⚠	Sn	ALL PIN (A)=13 MAX	
TBI-107-02011.113	PM-9630JT	P.B(C5191) ⚠	Sn	NO PIN # 6 (A)=13 MAX	
TBI-107-02011.123	PM-9630JT	P.B(C5191) ⚠	Sn	NO PIN # 7 (A)=13 MAX	
TBI-107-02011.133	PM-9630JT	P.B(C5191) ⚠	Sn	NO PIN # 10 (A)=13 MAX	
TBI-107-02011.143	PM-9630JT	P.B(C5191) ⚠	Sn	ALL PIN (A)=13.15±0.15	



TOLERANCE: .X±0.15 .XX±0.10 .XXX±0.05

UNIT : m / m

SCALE 2 : 1

Finish: 1. Pb wire Immersion Sn on terminal : Thickness:Sn plating,100,5 μm (200 μ inches) min,Base nickel 0.625 μm (25 μ inches) min.  
2. CP wire Immersion Sn on terminal : Thickness:Sn plating,100,5 μm (200 μ inches) min.  
3. Coplanarity deviation: 0.10 mm (0.004 inches) max.

REV 9