

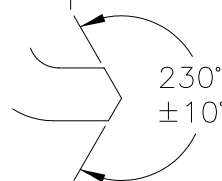
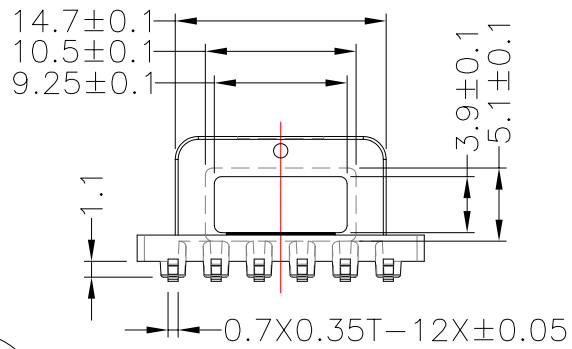
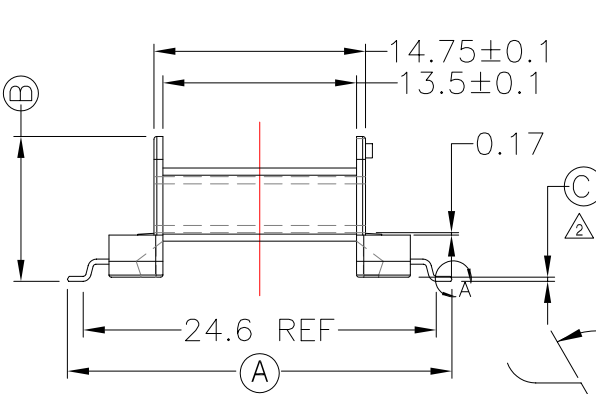
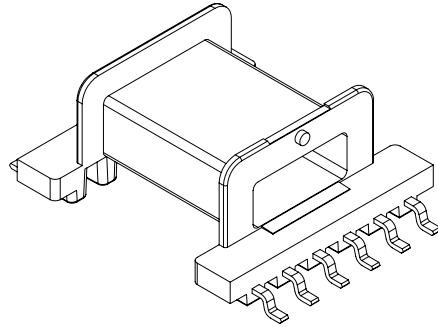
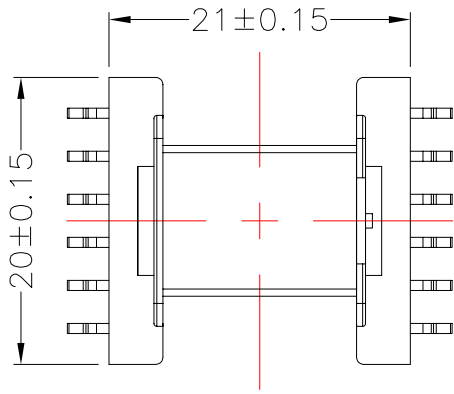


TRANSFORMER BOBBIN INDUSTRIAL CO.,LTD.

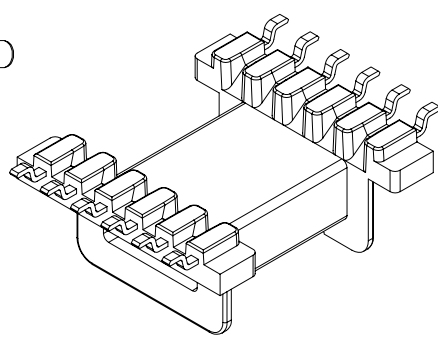
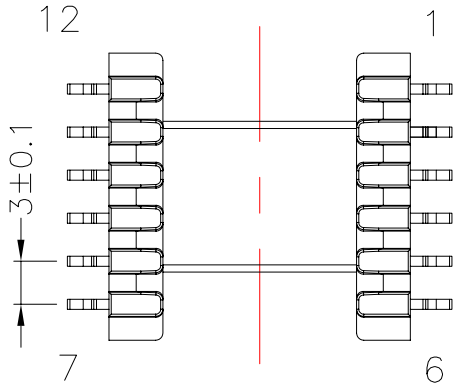
Tel : 86-769-88789999 Fax : 86-769-88789989
 http:// tbi-tw.com e-mail : tb6688@ms46.hinet.net

REVISIONS

REV	SYM	DRAFTER	CHECKER	DATE
△2		YAN.TANG	W.H.HSU	09/13/07
△3		YAN.TANG	G.F.YANG	12/26/07
△4		YAN.TANG	G.F.YANG	01/02/08



**DETAIL:A
PATENTED**



DWG NO.	EFD20-12P-GW-3.0-0H-1				
PART NO.	MATERIAL (BOBBIN)	MATERIAL (TERMINAL)	TERMINAL (PLATING)	PIN ALLOCATION	NOTE
TBI-107-01081.103	PM-9630	PB (C5191)	Sn	ALL PIN (A)=28.6±0.2 (B)=10.1±0.15 (C)=0.4±0.15	
TBI-107-01081.113	PM-9630	PB (C5191)	Sn	ALL PIN (A)=26.8±0.3 (B)=10.1±0.15 (C)=0.4±0.15	H.
△3 TBI-107-01081.123	PM-9630	PB (C5191)	Sn	CUT PIN #5 (A)=26.8±0.3 (B)=10.1±0.15 (C)=0.4±0.15	
△4 TBI-107-01081.133	PM-9630	PB (C5191)	Sn	ALL PIN (A)=28.6±0.2 (B)=10.95±0.15 (C)=1.25±0.15	
△4 TBI-107-01081.143	PM-9630	PB (C5191)	Sn	CUT PIN#4,9 (A)=28.6±0.2 (B)=10.1±0.15 (C)=0.4±0.15	
F TBI-107-01081.153	PM-9630	PB (C5191)	Sn	ALL PIN (A)=28.6±0.2 (B)=10.3±0.15 (C)=0.6±0.15	F
TBI-107-01081.163	PM-9630	PB (C5191)	Sn	ALL PIN (A)=28.6±0.2 (B)=10.8±0.15 (C)=1.0±0.15	
TBI-107-01081.173	PM-9630	PB (C5191)	Sn	CUT PIN#9,10 (A)=26.8±0.2 (B)=10.1±0.15 (C)=0.4±0.15	
TBI-107-01081.183	PM-9630	PB (C5191)	Sn	CUT PIN#9,10 (A)=28.6±0.2 (B)=10.3±0.15 (C)=0.6±0.15	

TOLERANCE: .X±0.15 .XX±0.10 .XXX±0.05 UNIT : m / m SCALE 2 : 1

Finish: 1. PB wire Immersion Sn on terminal : Thickness:Sn plating,100,5 μm (200 μ inches) min,Base nickel 0.625 μm (25 μ inches) min.
 2. CP wire Immersion Sn on terminal : Thickness:Sn plating,100,5 μm (200 μ inches) min.
 3. Coplanarity deviation: 0.10 mm (0.004 inches) max.

REV 4