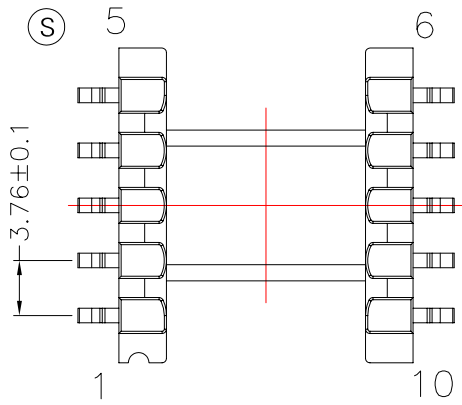
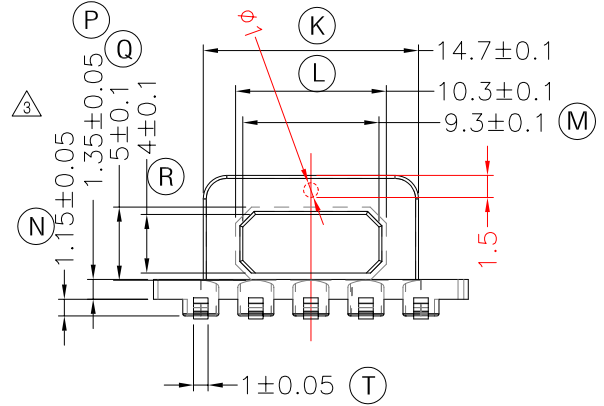
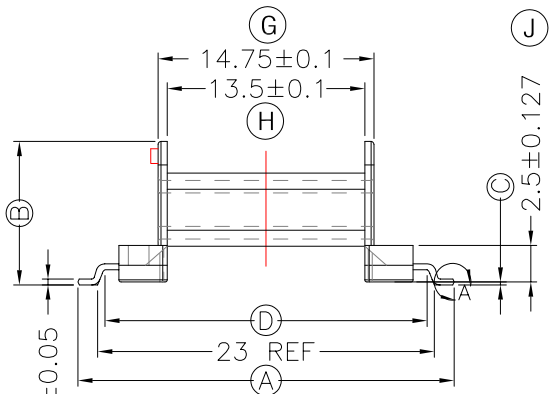
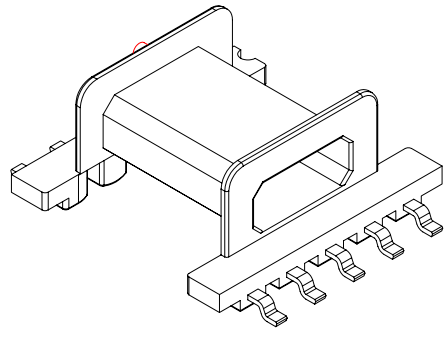
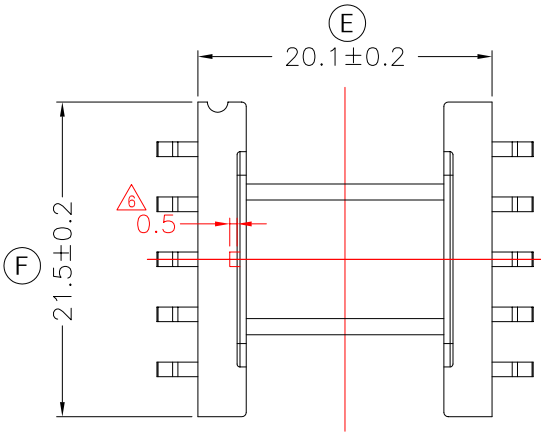




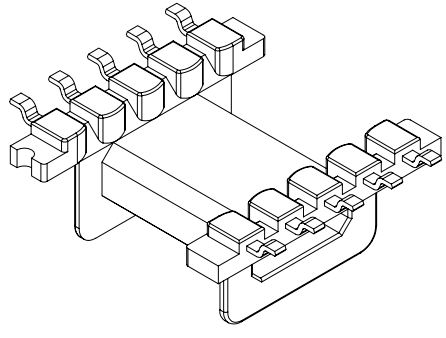
TRANSFORMER BOBBIN
INDUSTRIAL CO.,LTD.

Tel : 86-769-88789999 Fax : 86-769-88789989
http:// tbi-tw.com e-mail : tb6688@ms46.hinet.net

REVISIONS				
REV	SYM	DRAFTER	CHECKER	DATE
△4		YAN.TANG	W.H.HSU	08/05/07
△5		YAN.TANG	G.F.YANG	01/02/08
△6		YAN.TANG	G.F.YANG	04/19/10



230°
REF
DETAIL:A
PATENTED



DWG NO. EFD20-10P-GW-3.76-0G-1

PART NO.	MATERIAL (BOBBIN)	MATERIAL (TERMINAL)	TERMINAL (PLATING)	PIN ALLOCATION	S
TBI-107-01071.103	PM-9630	PB(C5191)	Sn	ALL PIN(A)=25.7 ± 0.15(B)=9.8±0.1 (C) =0.2±0.127 (D) =22 REF	H
TBI-107-01071.113	PM-9630	PB(C5191)	Sn	ALL PIN(A)= 25.08 ± 0.2(B)=9.8±0.1 (C) =0.2±0.127 (D) =22 REF	
TBI-107-01071.123	PM-9630	PB(C5191)	Sn	ALL PIN(A)= 25.5 ± 0.2(B)=9.8±0.1 (C) =0.2±0.127 (D) =22 REF	
TBI-107-01071.133	PM-9630	PB(C5191)	Sn	ALL PIN(A)= 25.08 ± 0.2(B)=11+0/-0.3 (C) =1.4+0/-0.3 (D) =22 REF	
TBI-107-01071.143	PM-9630	PB(C5191)	Sn	ALL PIN(A)=25.7 ± 0.15(B)=9.8±0.1 (C) =0.2±0.127 (D) =22.4 REF	
TBI-107-01071.153	PM-9630	PB(C5191)	Sn	CUT PIN#3,8(A)= 25.08 ± 0.2(B)=9.8±0.1 (C) =0.2±0.127 (D) =22 REF	
TBI-107-01071.163	PM-9630	PB(C5191)	Sn	CUT PIN #6(A)=25.7 ± 0.15(B)=9.8±0.1 (C) =0.2±0.127 (D) =22 REF	
TBI-107-01071.173	PM-9630	PB(C5191)	Sn	CUT PIN #7(A)=25.7 ± 0.15(B)=9.8±0.1 (C) =0.2±0.127 (D) =22 REF	
TBI-107-01071.183	PM-9630	PB(C5191)	Sn	CUT PIN #6(A) = 25.08 ± 0.2(B)=9.8±0.1 (C) =0.2±0.127 (D) =22 REF	
TBI-107-01071.193	PM-9630	PB(C5191)	Sn	CUT PIN#6,7,8,9,10(A)= 25.08 ± 0.2(B)=11+0/-0.3(C)=1.4+0/-0.3(D)=22REF	

TOLERANCE: .X±0.15 .XX±0.10 .XXX±0.05 UNIT : m / m SCALE 1 : 1

Finish: 1. PB wire Immersion Sn on terminal : Thickness:Sn plating,100,5 μm (200 μ inches) min,Base nickel 0.625 μm (25 μ inches) min.
2. CP wire Immersion Sn on terminal : Thickness:Sn plating,100,5 μm (200 μ inches) min.
3. Coplanarity deviation: 0.10 mm (0.004 inches)max.

REV 6