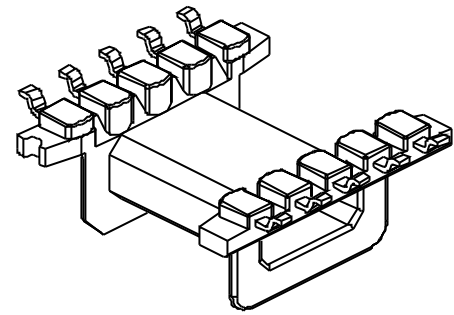
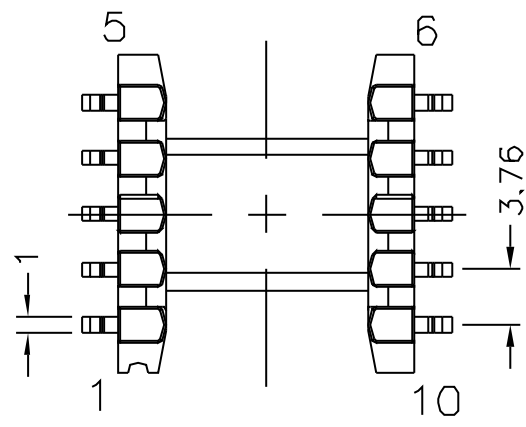
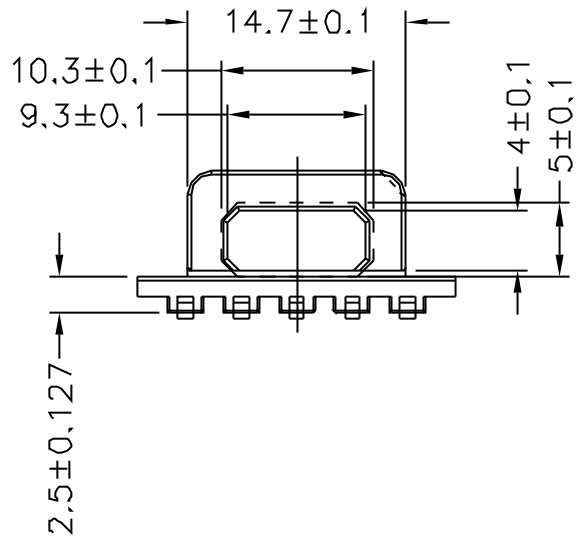
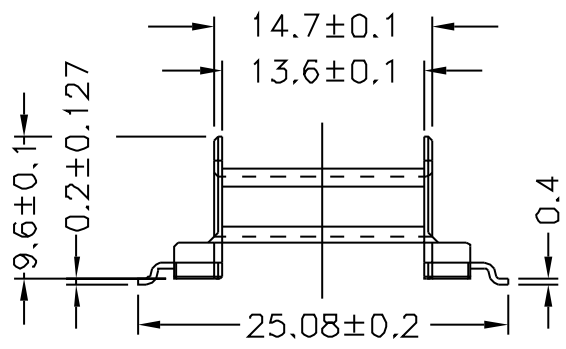
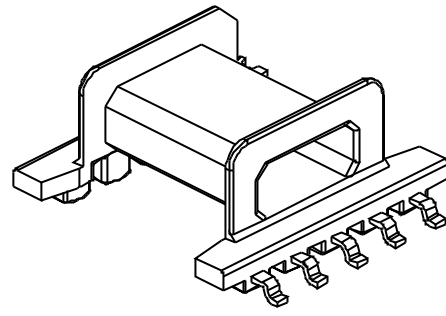
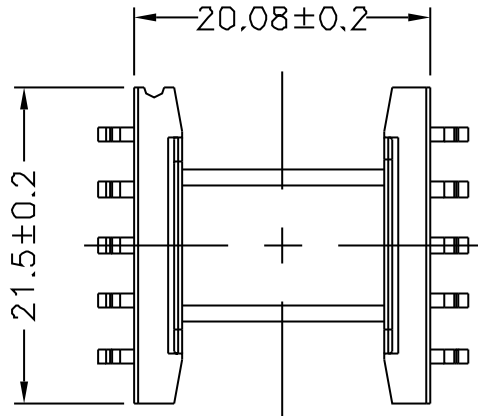


TBI TRANSFORMER BOBBIN INDUSTRIAL CO.,LTD.

Phone : 886-2-22929999 Fax : 886-2-22929295
E-MAIL: tbs006@ms48.hinet.net

REVISIONS

REV	SYM	DRAFTER	CHECKER	DATE
△		T.S.LI	W.H.HSU	02/20/01
△				
△				



PART NO.		EFD20-10P-GW-3.76-C-1					
DWG NO.		TBI-107-01031.1XX					
TBI NO.	MATERIAL (BOBBIN)	MATERIAL (TERMINAL)	TERMINAL (PLATING)		.101	ALL PIN	
107-01031.1XX	PM-9830	P-B-C5191	Au	PART NO.	REV	MODE NO.	PIN LOCATION
Finish:				TOLERANCE		X% X%	
1. Immersion gold on terminal.				UNIT		mm	
Thickness gold 0.075 μm (3 μ inches) min.				SCALE		2:1	
Base nickel 0.025 μm (25 μ inches) min.				REV		1	
2. Coplanarity deviation: 0.004 inches max.							