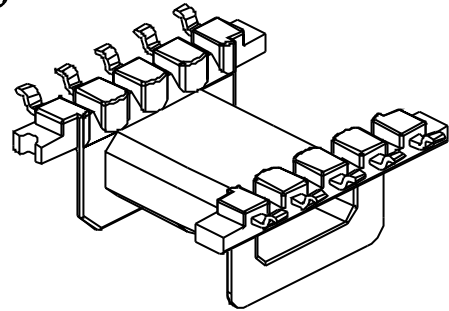
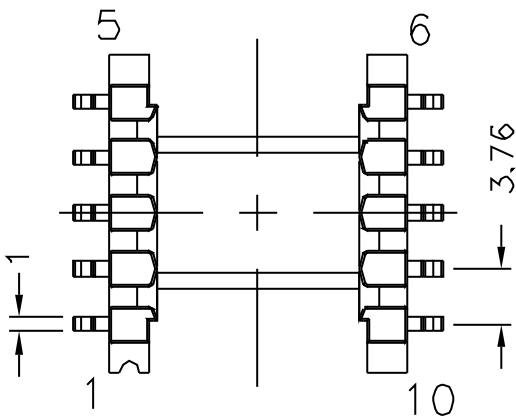
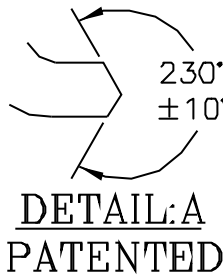
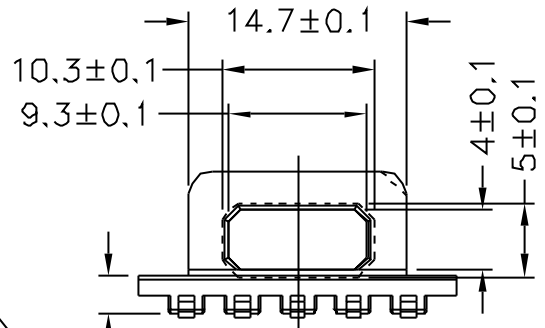
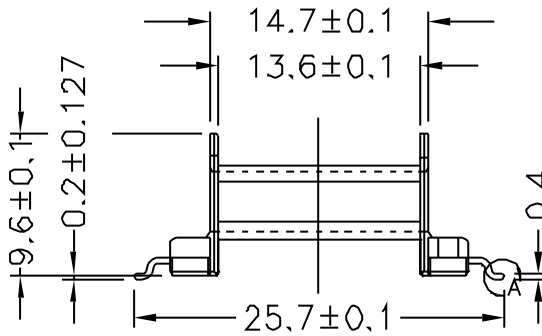
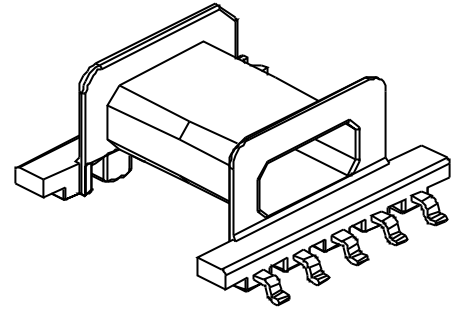
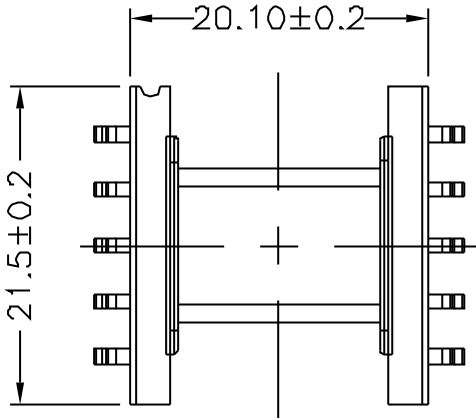


TBI TRANSFORMER BOBBIN INDUSTRIAL CO., LTD.

Phone: 886-2-22929999 Fax: 886-2-22929295
E-MAIL: tbs666@ms48.hinet.net

REVISIONS

REV	SYM	DRAFTER	CHECKER	DATE
△		T.S.LI	W.H.HSU	03/14/01
△		T.S.LI	W.H.HSU	10/30/02
△				



PART NO. EFD20-10P-GW-3.76-A-1

DWG NO. TBI-107-01011.1XX

TBI NO.	MATERIAL (BOBBIN)	MATERIAL (TERMINAL)	TERMINAL (PLATING)
107-01011.1XX	PM-9530	P-B-C5121	Au

107-01011.1XX

PM-9530

P-B-C5121

Au

PART NO.

REV

MODE NO

.101 ALL PIN

PIN LOCATION

Finish:

- 1. Immersion gold on terminal. Thickness gold 0.075 μm (3 μ inches) min. Base nickel 0.025 μm (25 μ inches) min.
- 2. Coplanarity deviation: 0.004 inches max.

TOLERANCE

X%
XX%

UNIT

mm

SCALE

2:1

REV

2