

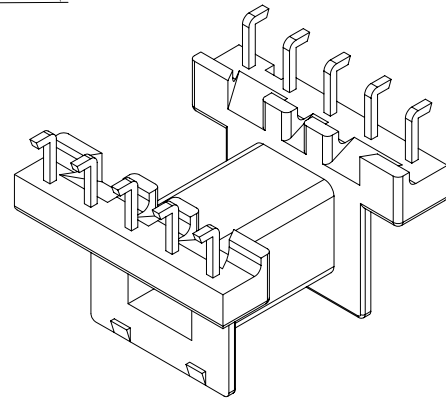
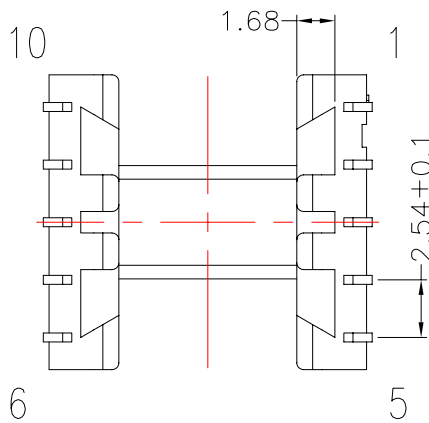
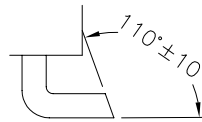
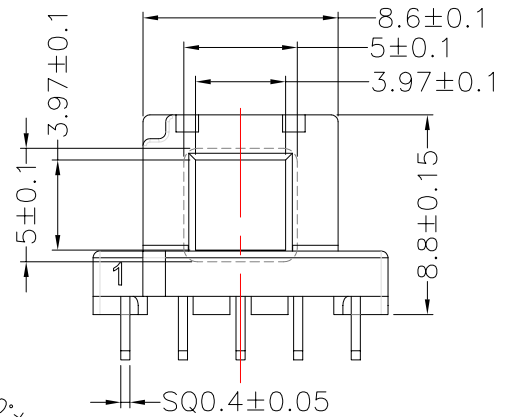
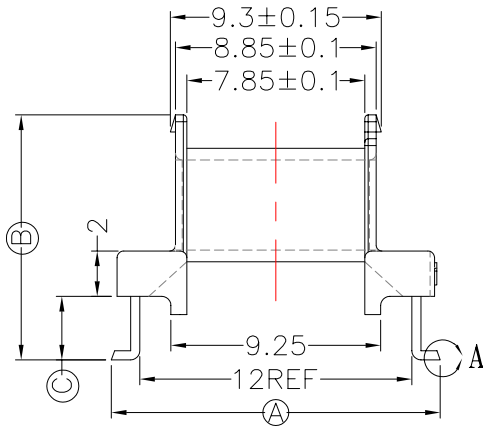
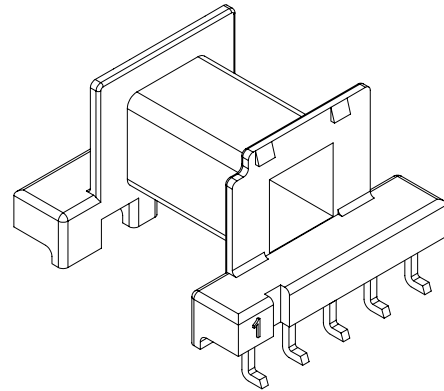
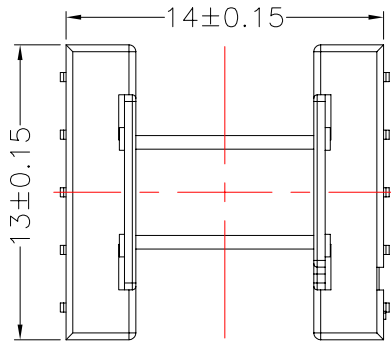


TRANSFORMER BOBBIN
INDUSTRIAL CO.,LTD.

Tel : 86-769-88789989 Fax : 86-769-88789999
http:// tbi-tw.com e-mail : tb6688@ms46.hinet.net

REVISIONS

| REV | SYM | DRAFTER | CHECKER | DATE |
|-----|-----|---------|---------|----------|
| △6 | | T.S.LII | W.H.HSU | 06/28/05 |
| △7 | | T.S.LII | W.H.HSU | 06/27/06 |
| △8 | | T.S.LII | W.H.HSU | 07/24/06 |



DWG NO. EF12.6-10P-L-2.54-D-1

| PART NO. | MATERIAL (BOBBIN) | MATERIAL (TERMINAL) | TERMINAL (PLATING) | PIN ALLOCATION | NOTE. |
|----------------------|-------------------|---------------------|--------------------|--|-------|
| △7 TBI-105-01041.103 | PM-9630 | PB | △7 Sn | ALL PIN A=14.5±0.15 B=9±0.15 C=1.0 | |
| △6 TBI-105-01041.113 | PM-9630 | PB | △8 Sn | ALL PIN A=16.5±0.15 B=9±0.15 C=1.0 | |
| △8 TBI-105-01041.123 | PM-9630 | PB | Sn | ALL PIN A=18.4±0.2 B=9±0.15 C=1.0 | |
| △8 TBI-105-01041.133 | PM-9630 | PB | Sn | CUT PIN #2,4,7,9 A=14.5±0.15 B=10.8±0.15 C=2.8 | |
| △8 TBI-105-01041.143 | PM-9630 | PB | Sn | CUT PIN #3,10 A=14.5±0.15 B=9±0.15 C=1.0 | |

TOLERANCE: .X±0.15 .XX±0.10 .XXX±0.05 UNIT : m / m SCALE 3 : 1

Finish: 1. PB wire Immersion Sn on terminal : Thickness:Sn plating,100,5 μm (200 μ inches) min,Base nickel 0.625 μm (25 μ inches) min.
2. CP wire Immersion Sn on terminal : Thickness:Sn plating,100,5 μm (200 μ inches) min.
3. Coplanarity deviation: 0.10 mm (0.004 inches) max.

REV 8