

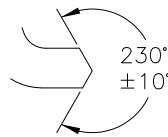
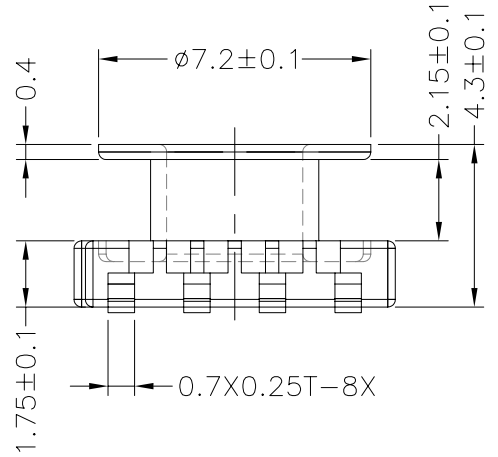
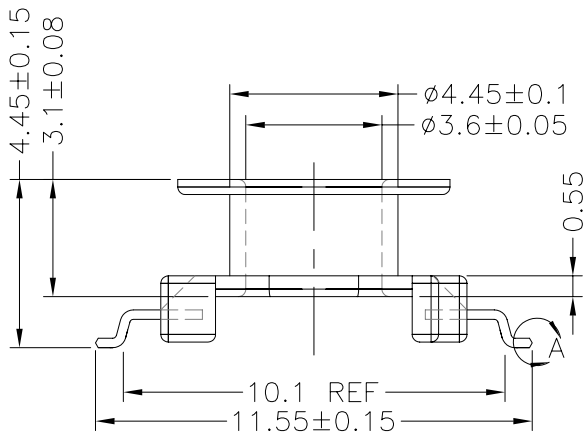
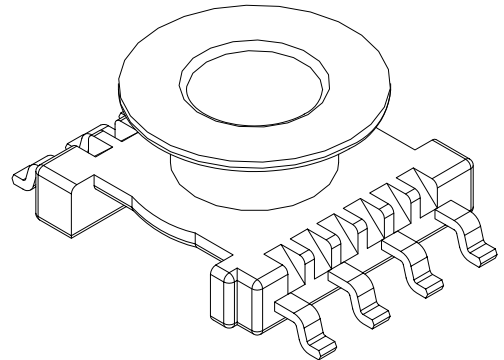
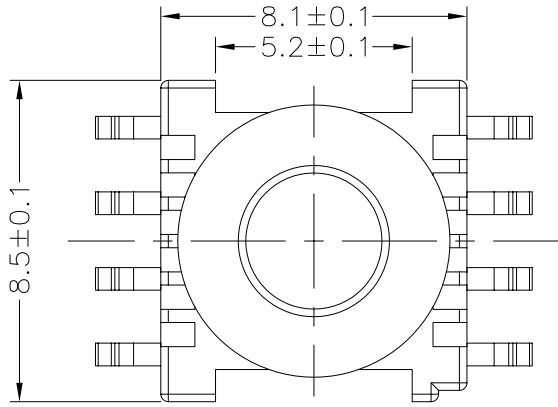


**TRANSFORMER BOBBIN
INDUSTRIAL CO.,LTD.**

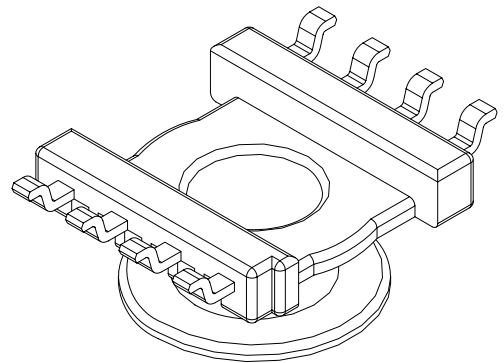
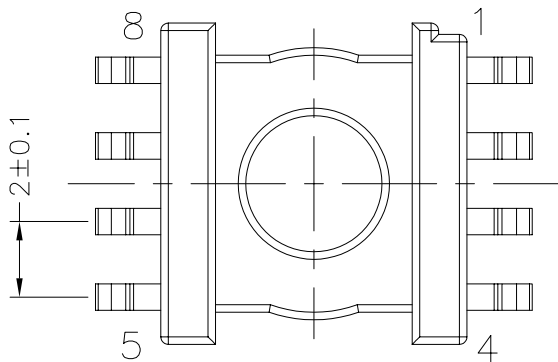
Tel : 86-769-88789999 Fax : 86-769-88789989
http:// tbi-tw.com e-mail : tb6688@ms46.hinet.net

REVISIONS

| REV | SYM | DRAFTER | CHECKER | DATE |
|-----|-----|----------|---------|----------|
| ① | | S.Y.TANG | W.H.HSU | 08/24/07 |
| ② | | | | |
| ③ | | | | |

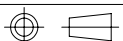


**DETAIL:A
PATENTED**



DWG NO. ER9.5-8P-GW-2.0-G-3

| PART NO. | MATERIAL (BOBBIN) | MATERIAL (TERMINAL) | TERMINAL (PLATING) | PIN ALLOCATION | NOTE |
|-------------------|-------------------|---------------------|--------------------|-------------------|------|
| TBI-104-03071.303 | LCP-E4008(BK) | P.B | Sn | ALL PIN | |
| TBI-104-03071.313 | LCP-E4008(BK) | P.B | Sn | CUT PIN # 2,3,6,7 | |
| | | | | | |
| | | | | | |
| | | | | | |
| | | | | | |



TOLERANCE: .X±0.15 .XX±0.10 .XXX±0.05

UNIT : m / m

SCALE 5 : 1

Finish: 1. Pb wire Immersion Sn on terminal : Thickness:Sn plating,100,5 μm (200 μ inches) min,Base nickel 0.625 μm (25 μ inches) min.
2. CP wire Immersion Sn on terminal : Thickness:Sn plating,100,5 μm (200 μ inches) min.
3. Coplanarity deviation: 0.10 mm (0.004 inches) max.

REV 1