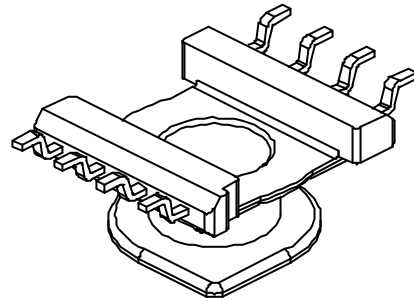
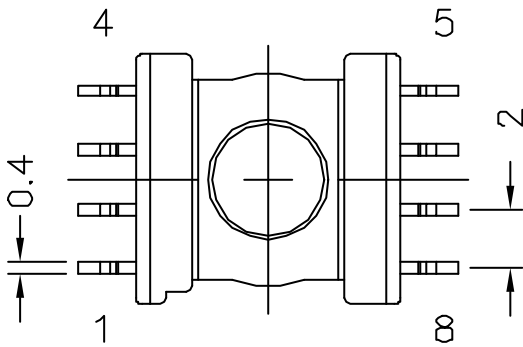
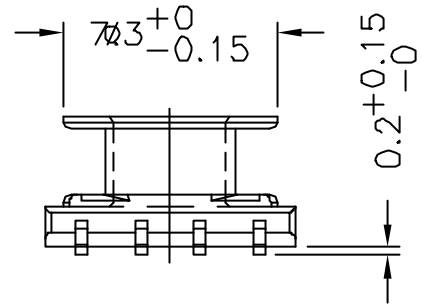
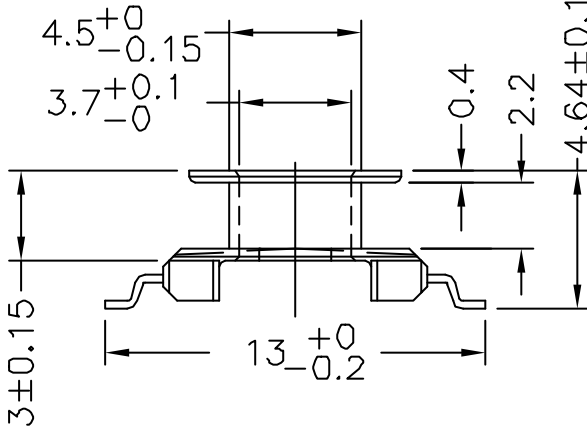
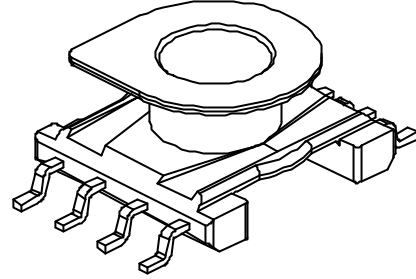
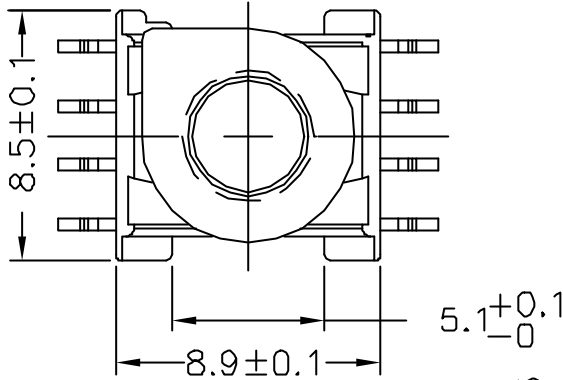


TBI TRANSFORMER BOBBIN INDUSTRIAL CO.,LTD.

Phone 886-2-22929999 Fax 886-2-22925283
E-MAIL: tbs886@ms48.hinet.net

REVISIONS

REV	SYM	DRAFTER	CHECKER	DATE
△		T.S.LI	W.H.HSU	02/20/01
△				
△				



PART NO. ER9.5-8P-GW-2.0-B-3

DWG NO. TBI-104-03021.3XX

TBI NO. MATERIAL (BOBBIN) MATERIAL (TERMINAL) TERMINAL (PLATING)

104-03021.3XX LCP-E4008 P.B C5181 AU

Finish:

- Immersion gold on terminal.
Thickness gold 0.075 μm (3 μ inches) min.
Base nickel 0.625 μm (25 μ inches) min.
- Coplanarity deviation: 0.004 inches max.

PART NO. REV MODE NO ALL PIN PIN LOCATION

TOLERANCE	X ₁ X ₂
UNIT	m/m
SCALE	4:1
REV	1