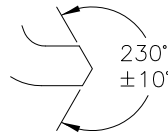
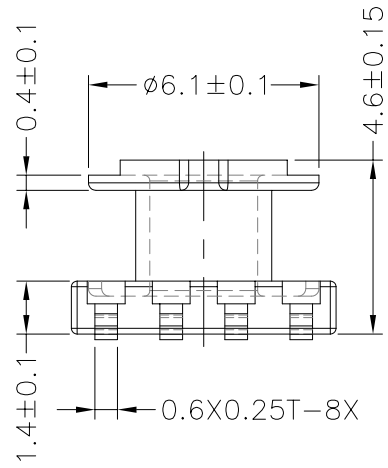
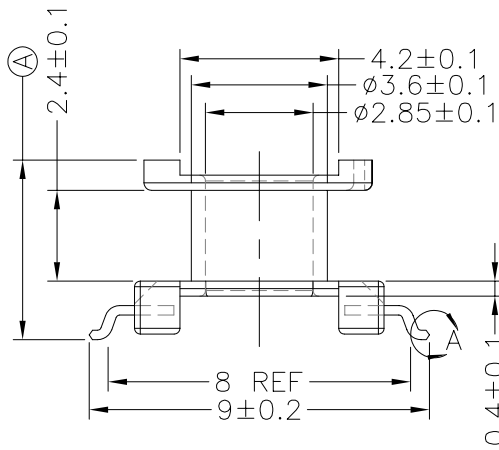
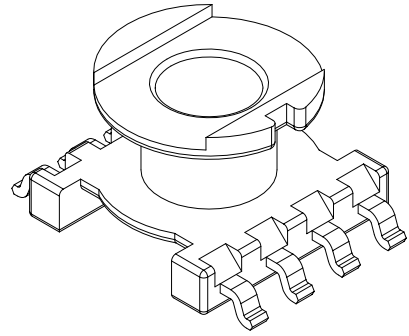
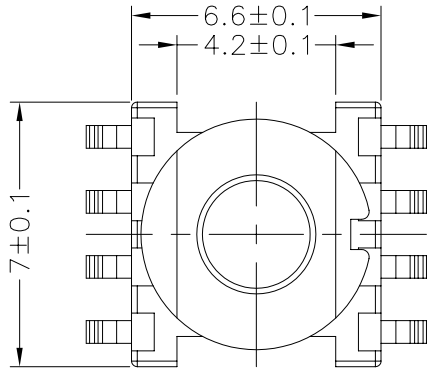




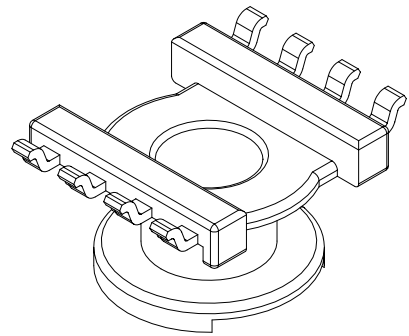
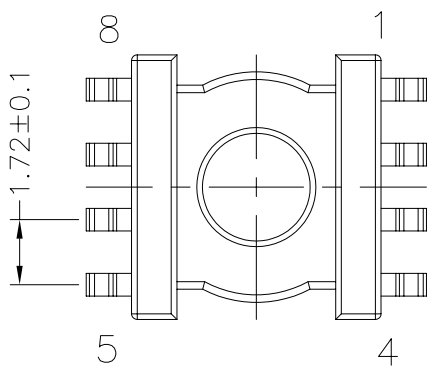
**TRANSFORMER BOBBIN
INDUSTRIAL CO.,LTD.**

Tel : 86-769-88789999 Fax : 86-769-88789989
 http:// tbi-tw.com e-mail : tb6688@ms46.hinet.net

REVISIONS				
REV	SYM	DRAFTER	CHECKER	DATE
①		S.Y.TNAG	W.H.HSU	08/24/07
②				
③				



**DETAIL:A
PATENTED**



DWG NO.	ER7.5-8P-GW-1.72-E-3				
PART NO.	MATERIAL (BOBBIN)	MATERIAL (TERMINAL)	TERMINAL (PLATING)	PIN ALLOCATION	NOTE
TBI-104-04051.303	LCP-E4008(BK)	P.B	Sn	ALL PIN (A)=4.75±0.15	
TBI-104-04051.313	LCP-E4008(BK)	P.B	Sn	CUT PIN# 2,3,6,7(A)=4.75±0.15	
TBI-104-04051.323	LCP-E4008(BK)	P.B	Sn	ALL PIN(A)=5.1±0.15	
TBI-104-04051.333	LCP-E4008(BK)	P.B	Sn	CUT PIN# 2,3,6,7(A)=5.1±0.15	
	TOLERANCE: .X±0.15 .XX±0.10 .XXX±0.05			UNIT : m / m	SCALE 5 : 1
Finish:	1. Pb wire Immersion Sn on terminal : Thickness:Sn plating,100,5 μm (200 μ inches) min,Base nickel 0.625 μm (25 μ inches) min. 2. CP wire Immersion Sn on terminal : Thickness:Sn plating,100,5 μm (200 μ inches) min. 3. Coplanarity deviation: 0.10 mm (0.004 inches) max.				REV 1