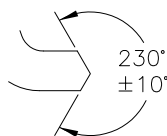
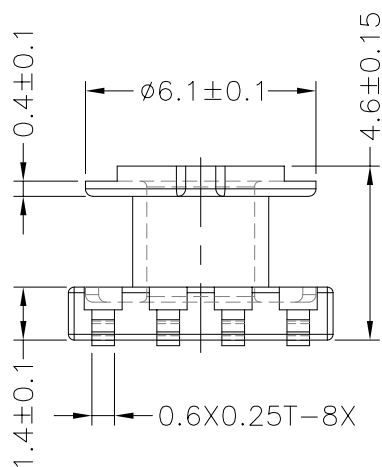
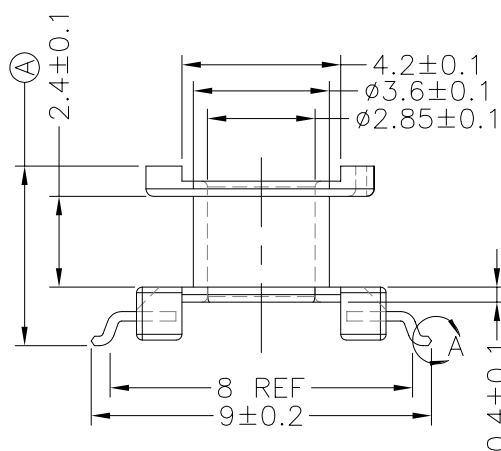
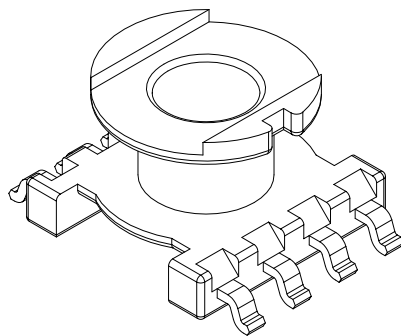
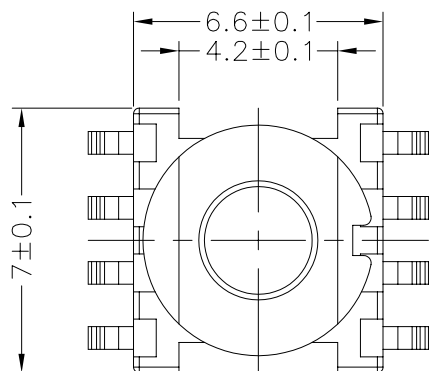


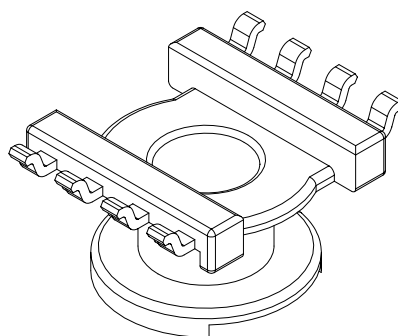
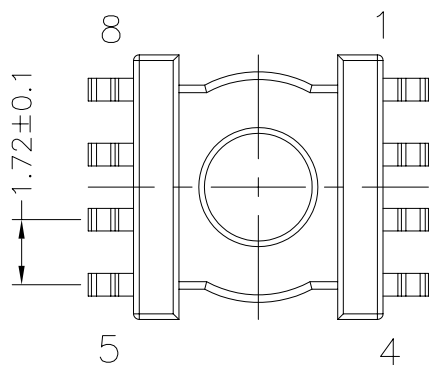
TBI TRANSFORMER BOBBIN INDUSTRIAL CO.,LTD.

Tel : 86-769-88789999 Fax : 86-769-88789989
 http:// tbi-tw.com e-mail : tb6688@ms46.hinet.net

| REVISIONS | | | | |
|-----------|-----|----------|---------|----------|
| REV | SYM | DRAFTER | CHECKER | DATE |
| ① | | S.Y.TNAG | W.H.HSU | 08/24/07 |
| ② | | | | |
| ③ | | | | |



DETAIL:A
PATENTED



| | | | | | |
|-------------------|--|---------------------|--------------------|-------------------------------|-------------|
| DWG NO. | ER7.5-8P-GW-1.72-0E-1 | | | | |
| PART NO. | MATERIAL (BOBBIN) | MATERIAL (TERMINAL) | TERMINAL (PLATING) | PIN ALLOCATION | NOTE |
| TBI-104-04051.103 | PM-9630JT | P.B | Sn | ALL PIN (A)=4.75±0.15 | |
| TBI-104-04051.113 | PM-9630JT | P.B | Sn | CUT PIN# 2,3,6,7(A)=4.75±0.15 | |
| TBI-104-04051.123 | PM-9630JT | P.B | Sn | ALL PIN(A)=5.1±0.15 | |
| TBI-104-04051.133 | PM-9630JT | P.B | Sn | CUT PIN# 2,3,6,7(A)=5.1±0.15 | |
| | | | | | |
| | | | | | |
| | TOLERANCE: .X±0.15 .XX±0.10 .XXX±0.05 | | | UNIT : m / m | SCALE 5 : 1 |
| Finish: | 1. Pb wire Immersion Sn on terminal : Thickness:Sn plating,100,5 μm (200 μ inches) min,Base nickel 0.625 μm (25 μ inches) min. 2. CP wire Immersion Sn on terminal : Thickness:Sn plating,100,5 μm (200 μ inches) min. 3. Coplanarity deviation: 0.10 mm (0.004 inches) max. | | | | REV 1 |