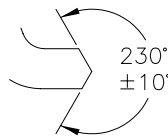
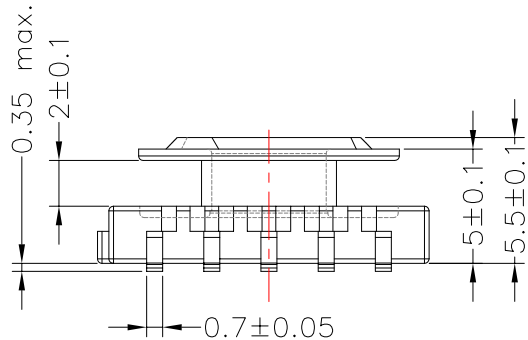
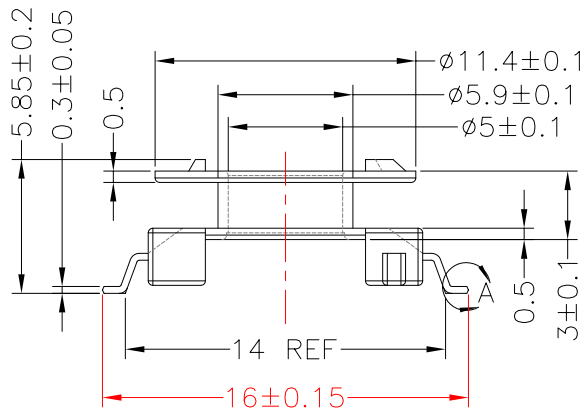
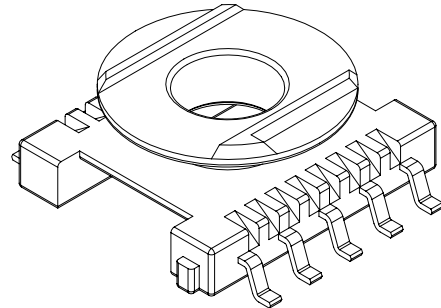
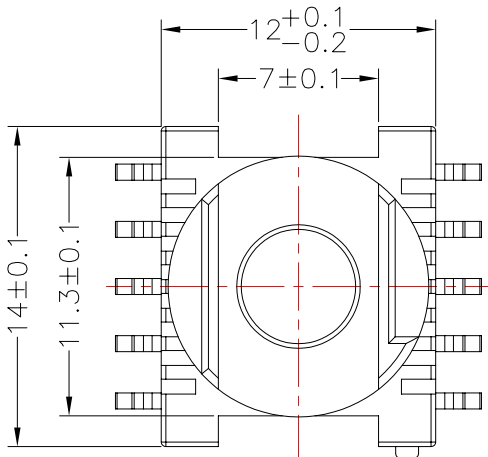




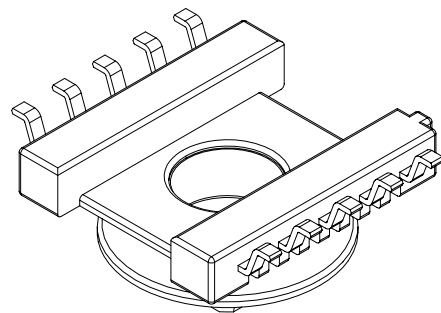
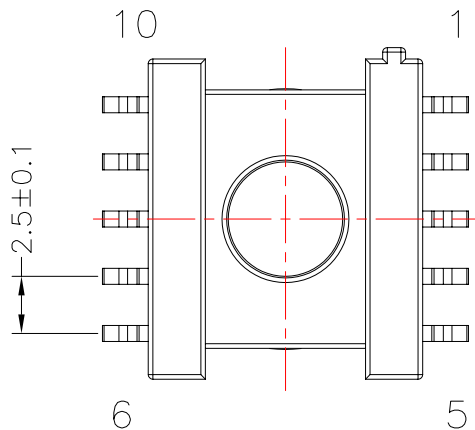
**TRANSFORMER BOBBIN  
INDUSTRIAL CO.,LTD.**

Tel : 86-769-88789999 Fax : 86-769-88789989  
http:// tbi-tw.com e-mail : tb6688@ms46.hinet.net

REVISIONS				
REV	SYM	DRAFTER	CHECKER	DATE
2		T.S.LII	W.H.HSU	10/09/03
3		T.S.LII	W.H.HSU	04/29/04
4		T.S.LII	W.H.HSU	07/24/06



DETAIL:A  
PATENTED



DWG NO.	ER14.5-10P-GW-2.5-A-1				
PART NO.	MATERIAL (BOBBIN)	MATERIAL (TERMINAL)	TERMINAL (PLATING)	PIN ALLOCATION	NOTE
TBI-104-02011.103	PM-9630	PB	Sn	ALL PIN	H
TBI-104-02011.113	PM-9630	PB	Sn	CUT PIN #4	
TBI-104-02011.123	PM-9630	PB	Sn	CUT PIN #3,8	
TBI-104-02011.133	PM-9630	PB	Sn	CUT PIN #8	
	TOLERANCE: .X±0.15 .XX±0.10 .XXX±0.05			UNIT : m / m	SCALE 3 : 1

Finish: 1. PB wire Immersion Sn on terminal : Thickness:Sn plating,100,5 μm (200 μ inches) min,Base nickel 0.625 μm (25 μ inches) min.  
2. CP wire Immersion Sn on terminal : Thickness:Sn plating,100,5 μm (200 μ inches) min.  
3. Coplanarity deviation: 0.10 mm (0.004 inches) max.

REV	4
-----	---