

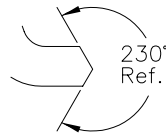
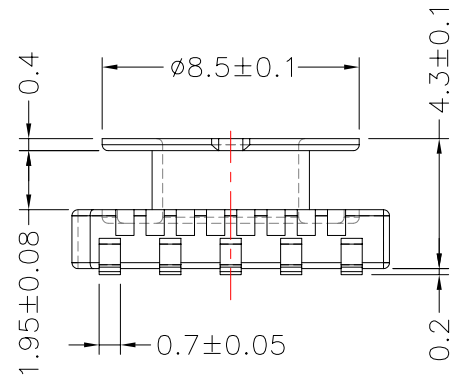
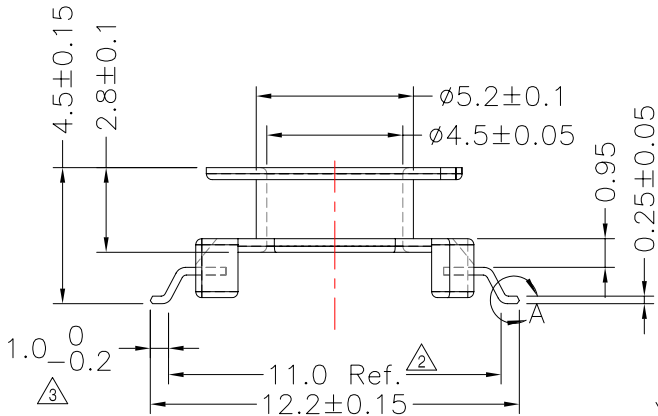
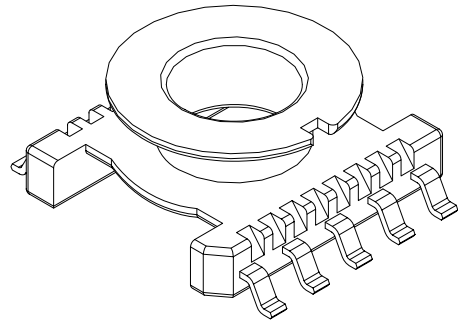
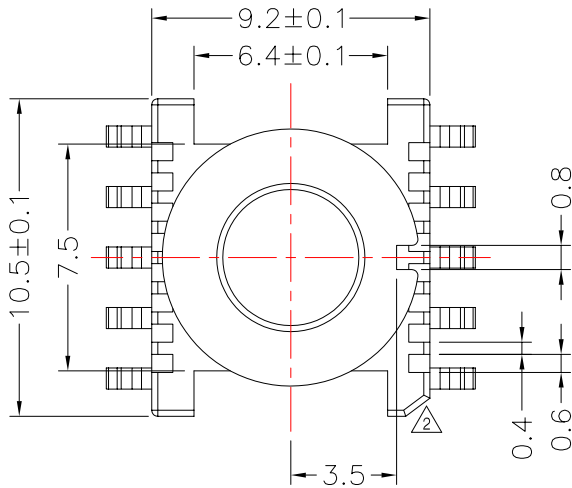


TRANSFORMER BOBBIN INDUSTRIAL CO.,LTD.

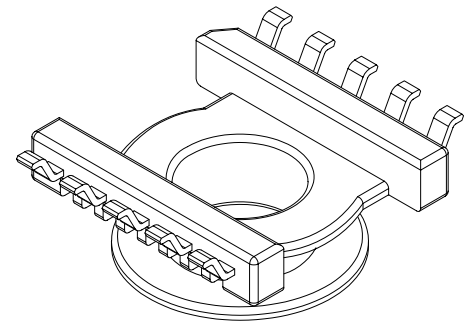
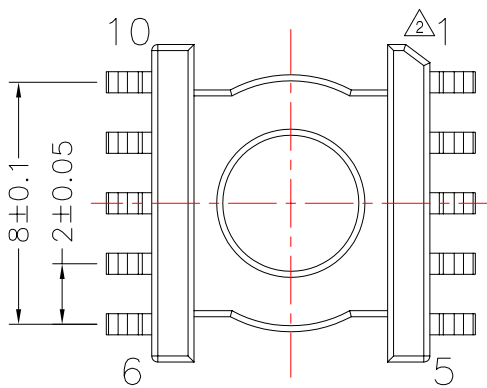
Tel : 86-769-88789999 Fax : 86-769-88789989
 http://tbi-tw.com e-mail : tb6688@ms46.hinet.net

REVISIONS

| REV | SYM | DRAFTER | CHECKER | DATE |
|-----|-----|----------|---------|----------|
| ① | | S.Y.TANG | W.H.HSU | 06/18/07 |
| ② | | Y.G.HSU | W.H.HSU | 06/21/07 |
| ③ | | S.Y.TANG | W.H.HSU | 07/02/07 |



DETAIL:A
PATENTED



| | | | | | |
|--|--|---------------------|--------------------|----------------|-------|
| DWG NO. | ER11/5-10P-GW-2.0-E-1 ② | | | | |
| PART NO. | MATERIAL (BOBBIN) | MATERIAL (TERMINAL) | TERMINAL (PLATING) | PIN ALLOCATION | NOTE |
| TBI-104-01051.103 | PM-9630JT | P.B | Sn | ALL PIN | |
| TOLERANCE: .X±0.15 .XX±0.10 .XXX±0.05 UNIT : m / m SCALE 4 : 1 | | | | | |
| Finish: | 1. Pb wire Immersion Sn on terminal : Thickness:Sn plating,100,5 μm (200 μ inches) min,Base nickel 0.625 μm (25 μ inches) min. 2. CP wire Immersion Sn on terminal : Thickness:Sn plating,100,5 μm (200 μ inches) min. 3. Coplanarity deviation: 0.10 mm (0.004 inches) max. | | | | REV 3 |