

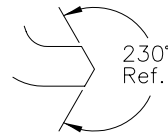
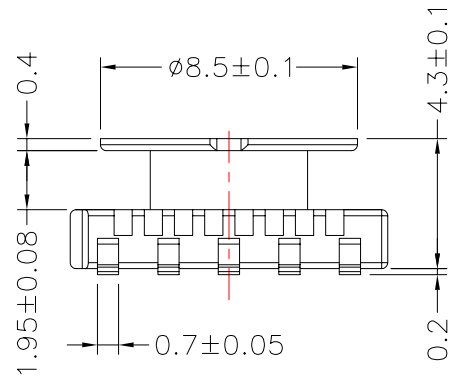
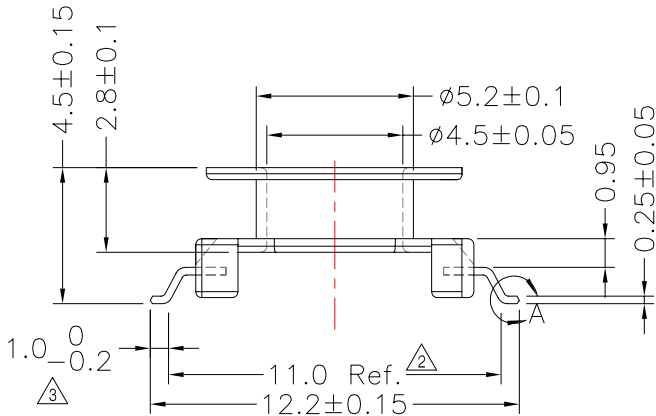
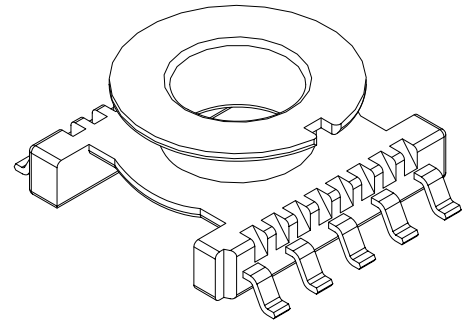
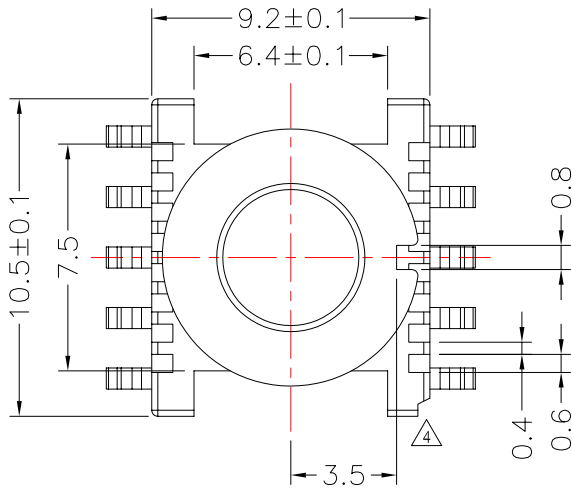


TRANSFORMER BOBBIN INDUSTRIAL CO.,LTD.

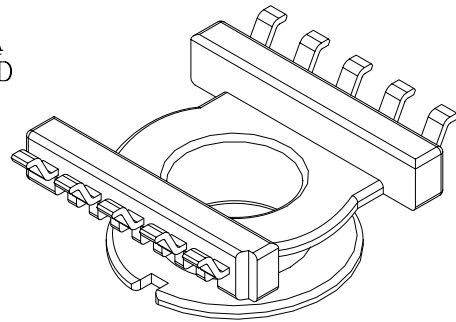
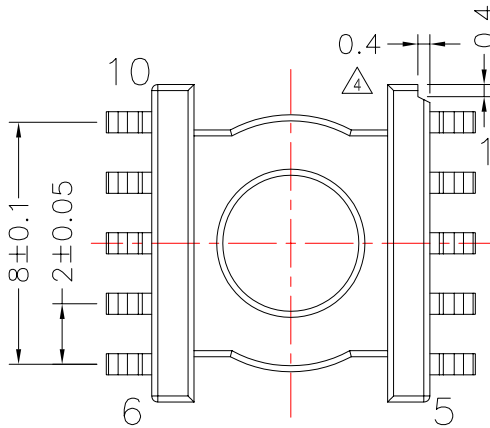
Tel : 86-769-88789999 Fax : 86-769-88789989
 http://tbi-tw.com e-mail : tb6688@ms46.hinet.net

REVISIONS

REV	SYM	DRAFTER	CHECKER	DATE
△3		S.Y.TANG	W.H.HSU	07/02/07
△4		S.Y.TANG	W.H.HSU	07/05/07
△5		S.Y.TANG	W.H.HSU	08/24/07



DETAIL:A
PATENTED



DWG NO. ER11/5-10P-GW-2.0-0E-1 △4

PART NO.	MATERIAL (BOBBIN)	MATERIAL (TERMINAL)	TERMINAL (PLATING)	PIN ALLOCATION	NOTE
TBI-104-01051.103	PM-9630JT	P.B	Sn	ALL PIN (A)=4.5±0.15	
△3 TBI-104-01051.113	PM-9630JT	P.B	Sn	CUT PIN# 2,3,4,7,8,9 (A)=4.5±0.15	
△3 TBI-104-01051.123	PM-9630JT	P.B	Sn	CUT PIN# 2,3,4,7,8,9 (A)=4.7+0.1/-0.15	

TBI-104-01051.103

PM-9630JT

P.B

Sn

ALL PIN (A)=4.5±0.15

△3 TBI-104-01051.113

PM-9630JT

P.B

Sn

CUT PIN# 2,3,4,7,8,9 (A)=4.5±0.15

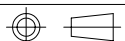
△3 TBI-104-01051.123

PM-9630JT

P.B

Sn

CUT PIN# 2,3,4,7,8,9 (A)=4.7+0.1/-0.15



TOLERANCE: .X±0.15 .XX±0.10 .XXX±0.05

UNIT : m / m

SCALE 4 : 1

Finish: 1. Pb wire Immersion Sn on terminal : Thickness:Sn plating,100,5 μm (200 μ inches) min,Base nickel 0.625 μm (25 μ inches) min.
 2. CP wire Immersion Sn on terminal : Thickness:Sn plating,100,5 μm (200 μ inches) min.
 3. Coplanarity deviation: 0.10 mm (0.004 inches) max.

REV 5