

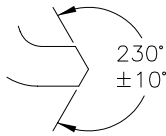
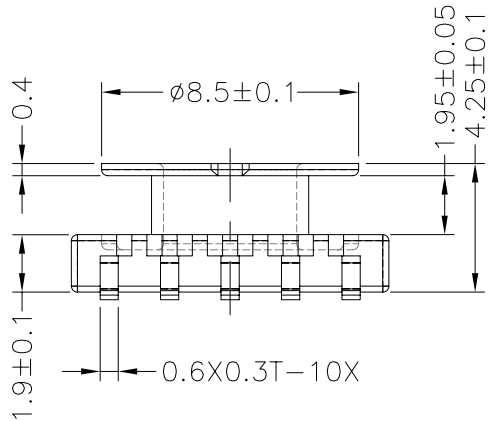
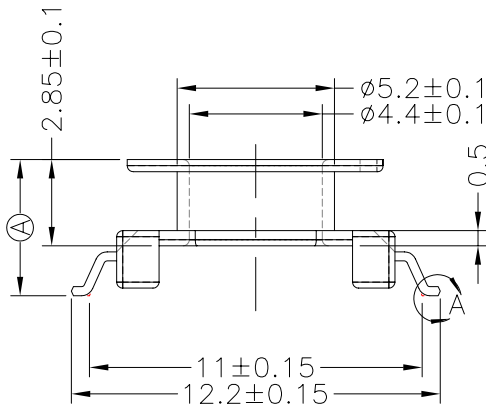
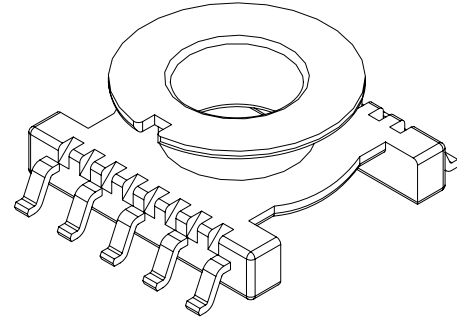
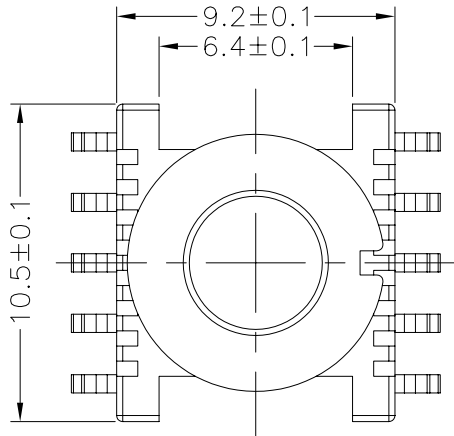


**TRANSFORMER BOBBIN INDUSTRIAL CO.,LTD.**

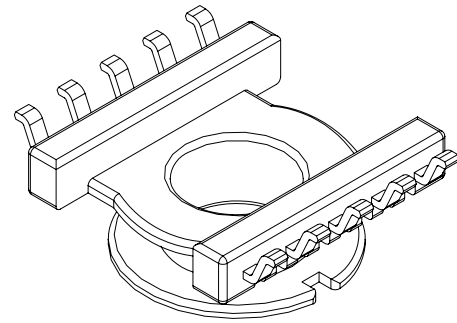
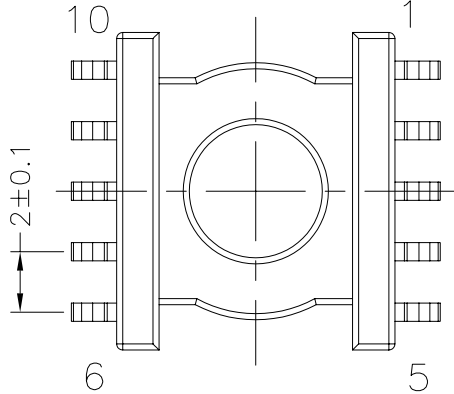
Tel : 86-769-88789999 Fax : 86-769-88789989  
 http:// tbi-tw.com e-mail : tb6688@ms46.hinet.net

REVISIONS

REV	SYM	DRAFTER	CHECKER	DATE
①		S.Y.TANG	S.M.SHIH	11/28/06
②		S.Y.TANG	W.H.HSU	06/08/07
③				



DETAIL:A  
PATENTED



拉力:0.8Kg Min.

DWG NO.	ER11/5-10P-GW-2.0-0C-1				
PART NO.	MATERIAL (BOBBIN)	MATERIAL (TERMINAL)	TERMINAL (PLATING)	PIN ALLOCATION	NOTE
TBI-104-01031.103	PM-9630	P.B	Sn	ALL PIN, (A)= 4.5±0.15	
TBI-104-01031.113	PM-9630	P.B	Sn	CUT PIN # 2,3,4,7,8,9, (A)= 4.5±0.15	②
TBI-104-01031.123	PM-9630	P.B	Sn	CUT PIN # 2,3,4,7,8,9, (A)= 4.7+0.1/-0.15	
TBI-104-01031.133	PM-9630	P.B	Sn	ALL PIN (A)= 4.7+0.1/-0.15	52GBER115002
TOLERANCE: .X±0.15 .XX±0.10 .XXX±0.05 UNIT : m / m SCALE 4 : 1					
Finish:	1. Pb wire Immersion Sn on terminal : Thickness:Sn plating,100,5 μm (200 μ inches) min,Base nickel 0.625 μm (25 μ inches) min. 2. CP wire Immersion Sn on terminal : Thickness:Sn plating,100,5 μm (200 μ inches) min. 3. Coplanarity deviation: 0.10 mm (0.004 inches) max.				REV 2