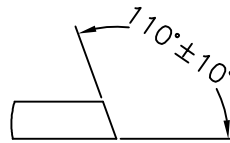
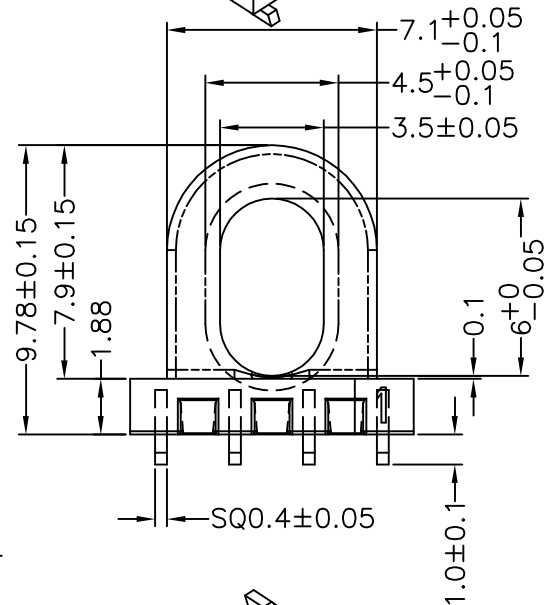
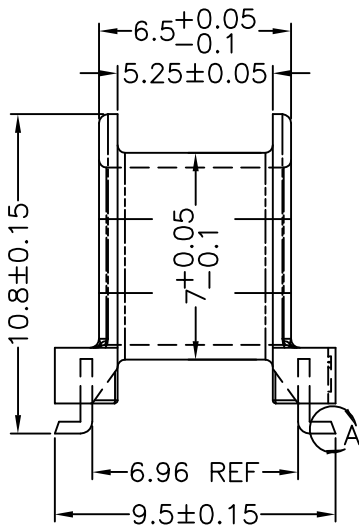
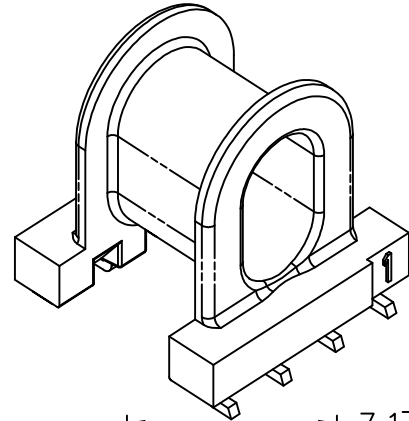
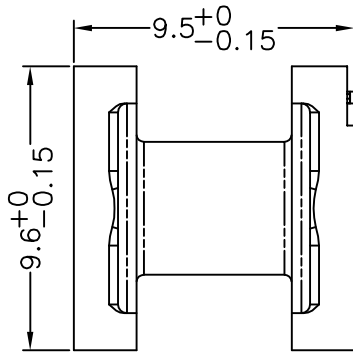


TBI TRANSFORMER BOBBIN INDUSTRIAL CO.,LTD.

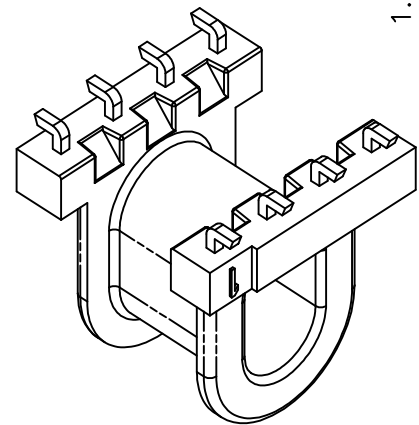
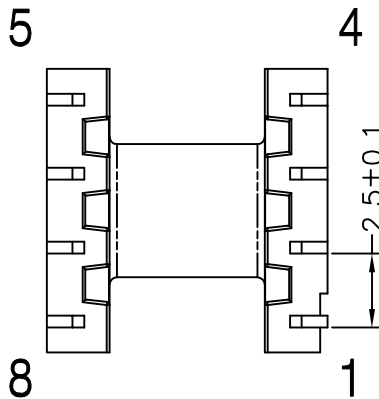
Phone 886-2-22929999 Fax 886-2-22925263
E-MAIL: tb6688@ms46.hinet.net

REVISIONS

REV	SYM	DRAFTER	CHECKER	DATE
△		T.S.LII	W.H.HSU	12/12/02
△		T.S.LII	W.H.HSU	06/02/03
△				



DETAIL:A
PATENTED



PART NO.	EPX9-8P-L-2.5-B-2							
DWG NO.	TBI-103-04021.2XX							
TBI NO.	MATERIAL (BOBBIN)	MATERIAL (TERMINAL)	TERMINAL (PLATING)					
103-04021.203	AM-113	P.B	Sn		.203		ALL PIN	
				PART NO.	REV	MODE NO	PIN LOCATION	
				Finish: 1-1. Immersion gold on terminal. Thickness gold 0.075 μm (3 μ inches) min, Base nickel 0.625 μm (25 μ inches) min. 1-2. Immersion Sn on terminal. Terminal:Sn plating,100, 5 μm (200 μ inches) min Base nickel 0.625 μm (25 μ inches) min. 1-3. Immersion Sn/Pb on terminal. Terminal:Sn/Pb plating,90/10, 5 μm (200 μ inches) min Base nickel 0.625 μm (25 μ inches) min. (for pin GW type) 2. Coplanarity deviation: 0.004 inches max.			TOLERANCE	.X ±0.15 .XX ±0.10 .XXX ±0.05
							UNIT	m/m
							SCALE	4 : 1
							REV	2