

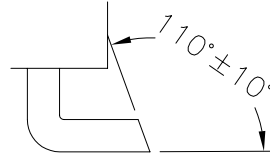
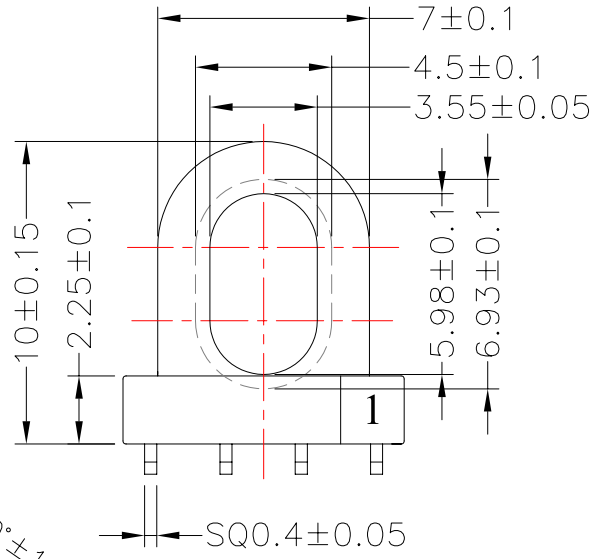
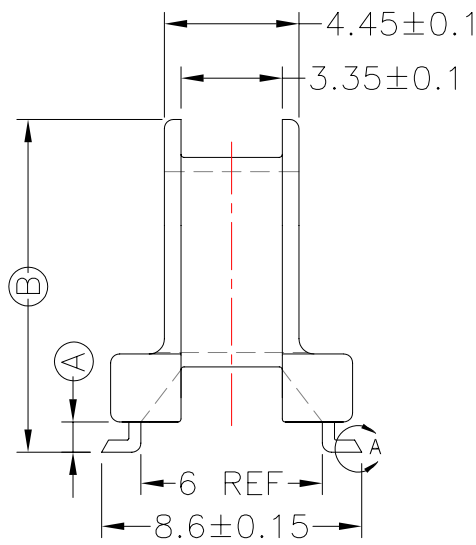
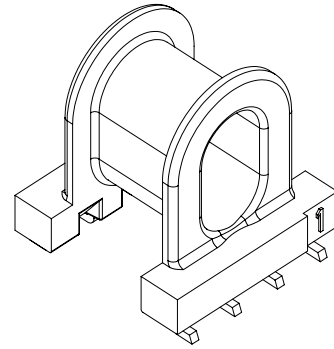
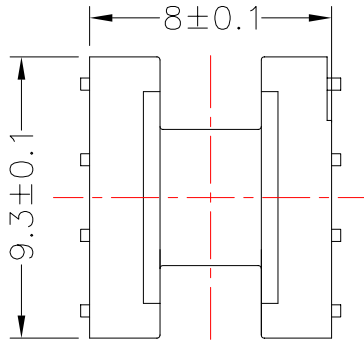


TRANSFORMER BOBBIN INDUSTRIAL CO.,LTD.

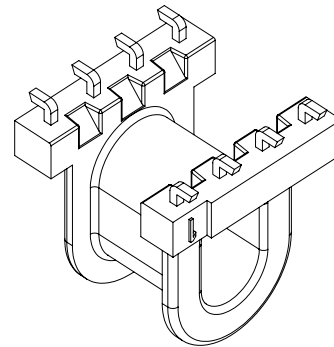
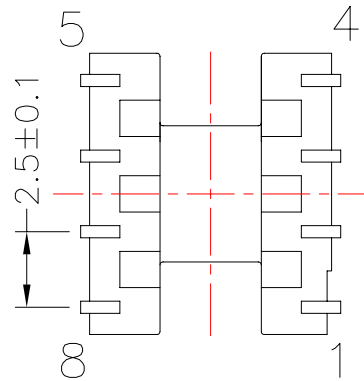
Tel : 86-769-88789999 Fax : 86-769-88789989
 http:// tbi-tw.com e-mail : tb6688@ms46.hinet.net

REVISIONS

REV	SYM	DRAFTER	CHECKER	DATE
△1		T.S.LII	W.H.HSU	03/23/04
△2		T.S.LII	W.H.HSU	07/24/06
△3				



DETAIL : A (PATENTED)



DWG NO. EPX7-8P-L-2.5-B1-1

PART NO.	MATERIAL (BOBBIN)	MATERIAL (TERMINAL)	TERMINAL (PLATING)	PIN ALLOCATION	NOTE
TBI-103-08211.103	PM-9630	PB	Sn	ALL PIN (A)=1.0±0.15 (B)=11.0±0.15	S
TBI-103-08211.113	PM-9630	PB	Sn	ALL PIN (A)=1.15±0.15 (B)=11.15±0.15	H

TOLERANCE: .X±0.15 .XX±0.10 .XXX±0.05 UNIT : m / m SCALE 4 : 1

Finish: 1. PB wire Immersion Sn on terminal : Thickness:Sn plating,100,5 μm (200 μ inches) min,Base nickel 0.625 μm (25 μ inches) min.
 2. CP wire Immersion Sn on terminal : Thickness:Sn plating,100,5 μm (200 μ inches) min.
 3. Coplanarity deviation: 0.10 mm (0.004 inches) max.

REV 2