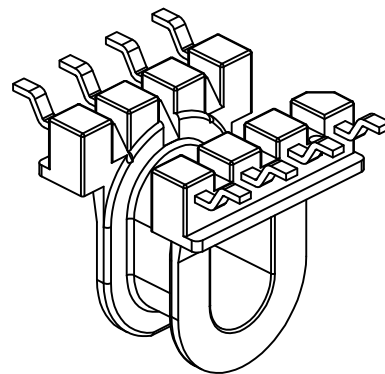
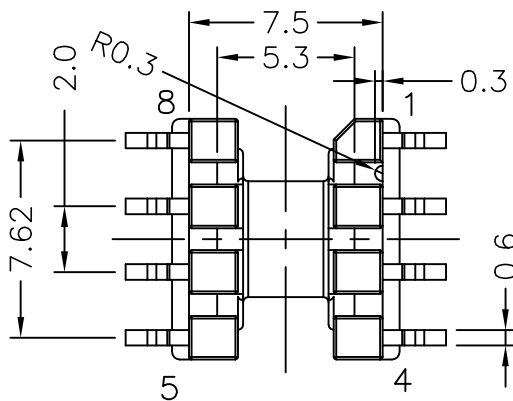
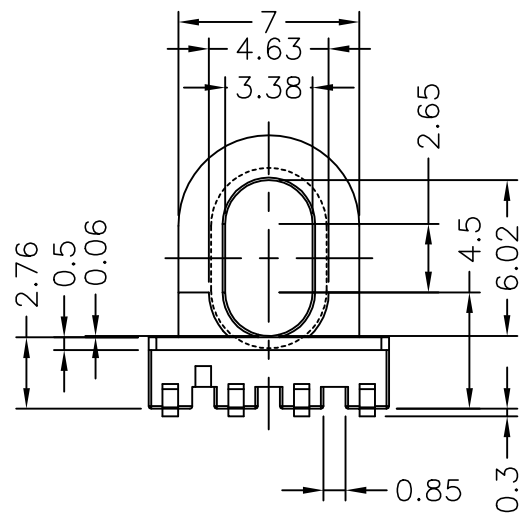
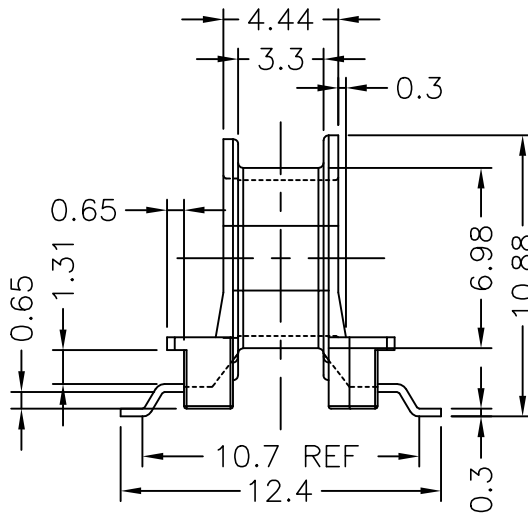
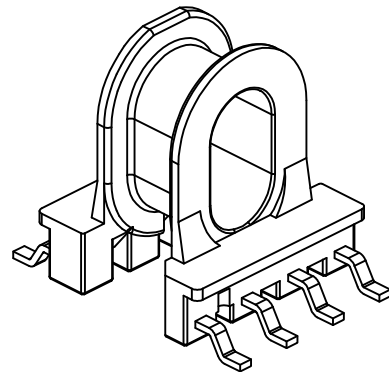
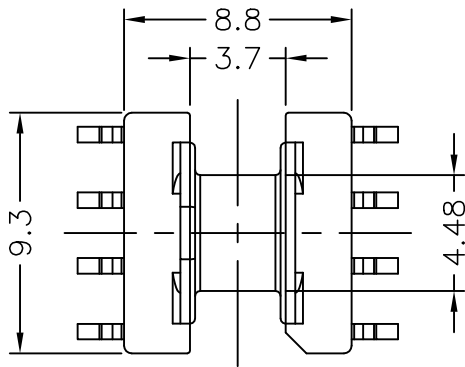


TBI TRANSFORMER BOBBIN INDUSTRIAL CO.,LTD.

Phone 886-2-22929999 Fax 886-2-22925263
E-MAIL: tb6688@ms46.hinet.net

REVISIONS

REV	SYM	DRAFTER	CHECKER	DATE
△		T.S.LII	W.H.HSU	07/16/01
△		T.S.LII	W.H.HSU	07/10/03
△				



PART NO. EPX7-8P-GW-2.0-A1-1-2F

DWG NO. TBI-103-08111.1XX

TBI NO.	MATERIAL (BOBBIN)	MATERIAL (TERMINAL)	TERMINAL (PLATING)
103-08111.102	PM-9630	P.B	Sn/Pb
103-08111.103	PM-9630	P.B	Sn

PART NO.	REV	MODE NO	PIN LOCATION
		.103	ALL PIN
		.102	ALL PIN

Finish:

- 1-1. Immersion gold on terminal.
Thickness gold 0.075 μm (3 μ inches) min,
Base nickel 0.625 μm (25 μ inches) min.
Immersion Sn on terminal.
- 1-2. Terminal:Sn plating,100, 5 μm (200 μ inches) min
Base nickel 0.625 μm (25 μ inches) min.
- 1-3. Immersion Sn/Pb on terminal.
Terminal:Sn/Pb plating,90/10, 5 μm (200 μ inches) min
Base nickel 0.625 μm (25 μ inches) min. (for pin GW type)
2. Coplanarity deviation: 0.004 inches max.

TOLERANCE	UNIT	SCALE	REV
.X ± 0.15 .XX ± 0.10 .XXX ± 0.05	m/m	3.5 : 1	2