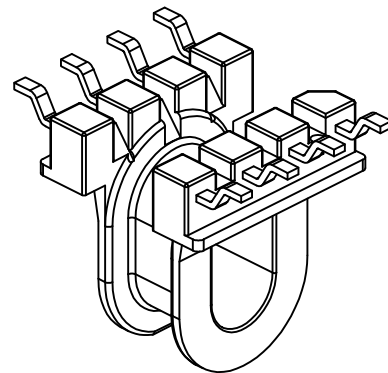
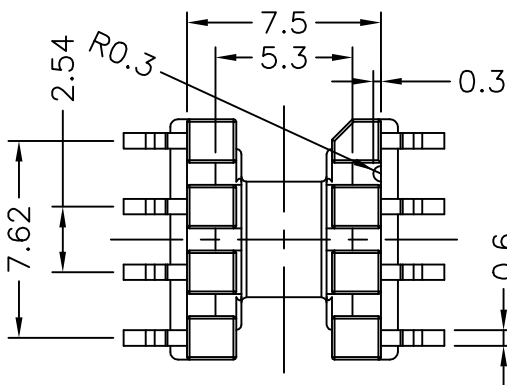
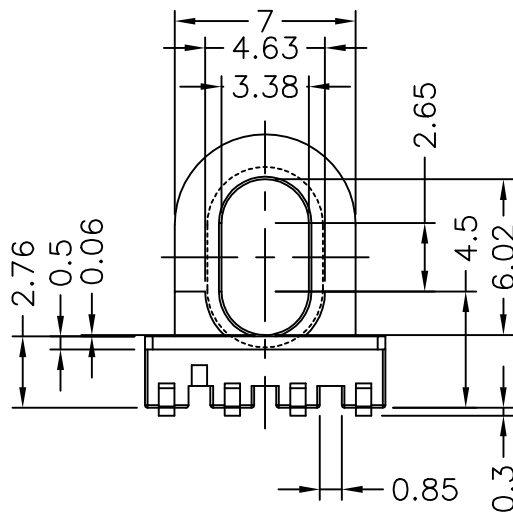
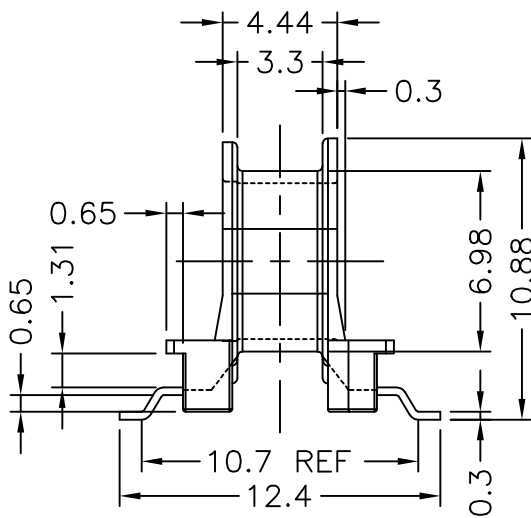
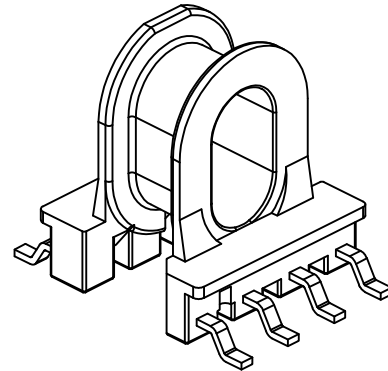
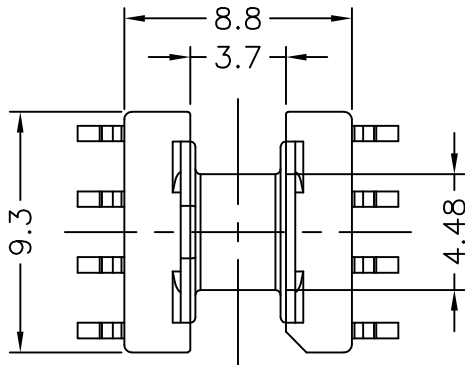


TBI TRANSFORMER BOBBIN INDUSTRIAL CO.,LTD.

Phone 886-2-22929999 Fax 886-2-22925263
E-MAIL: tb6688@ms46.hinet.net

REVISIONS

REV	SYM	DRAFTER	CHECKER	DATE
△		T.S.LII	W.H.HSU	07/16/01
△		T.S.LII	W.H.HSU	12/25/02
△		T.S.LII	W.H.HSU	07/10/03



PART NO. EPX7-8P-GW-2.54-A0-1-2F

DWG NO. TBI-103-08101.1XX

TBI NO.	MATERIAL (BOBBIN)	MATERIAL (TERMINAL)	TERMINAL (PLATING)	PART NO.	REV	MODE NO	PIN LOCATION
						.103	ALL PIN
						.102	ALL PIN
103-08101.102	PM-9630	P.B	Sn/Pb				
103-08101.103	PM-9630	P.B	Sn				
Finish:				TOLERANCE			
1-1. Immersion gold on terminal. Thickness gold 0.075 μm (3 μ inches) min, Base nickel 0.625 μm (25 μ inches) min. Immersion Sn on terminal.				.X ± 0.15 .XX ± 0.10 .XXX ± 0.05			
1-2. Terminal:Sn plating,100, 5 μm (200 μ inches) min Base nickel 0.625 μm (25 μ inches) min.				UNIT			
1-3. Immersion Sn/Pb on terminal. Terminal:Sn/Pb plating,90/10, 5 μm (200 μ inches) min Base nickel 0.625 μm (25 μ inches) min. (for pin GW type)				SCALE			
2. Coplanarity deviation: 0.004 inches max.				REV			
				3			