

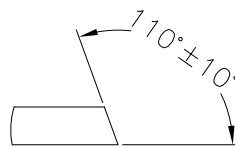
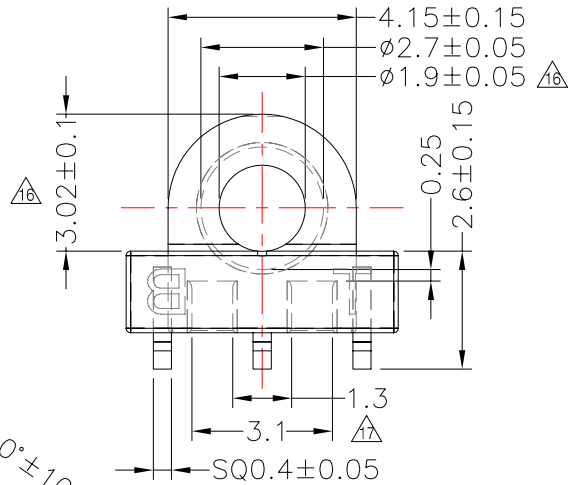
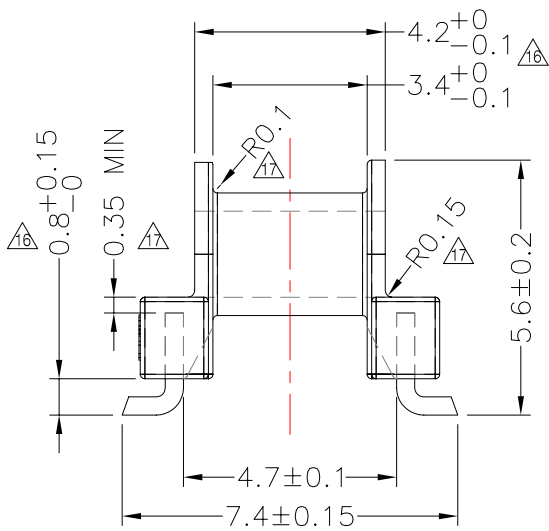
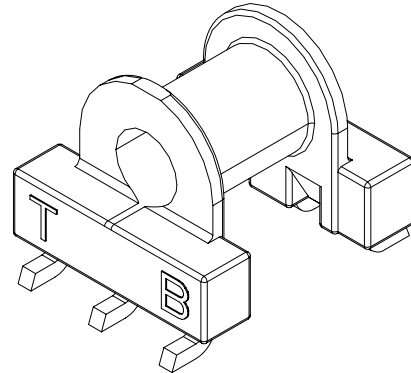
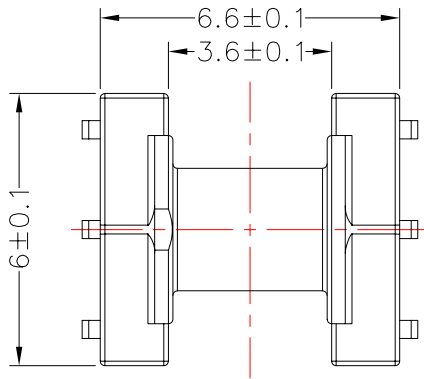


TRANSFORMER BOBBIN INDUSTRIAL CO.,LTD.

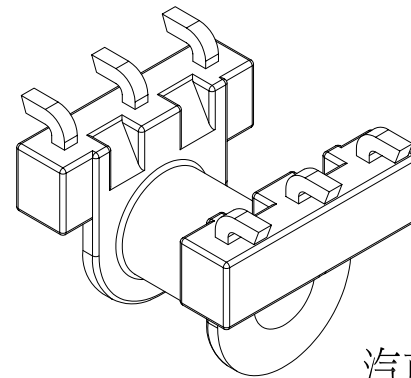
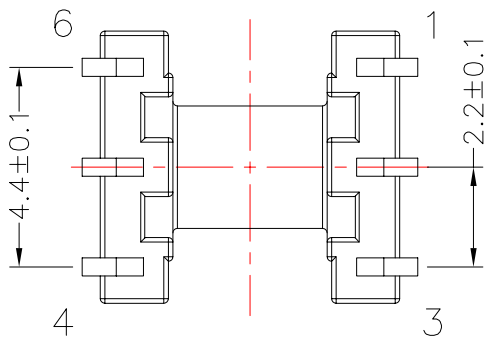
Tel : 86-769-88789999 Fax : 86-769-88789989
 http:// tbi-tw.com e-mail : tb6688@ms46.hinet.net

REVISIONS

REV	SYM	DRAFTER	CHECKER	DATE
△15		Y.G.HSU	S.M.SHIH	01/11/07
△16		S.Y.TANG	W.H.HSU	04/13/07
△17		S.Y.TANG	W.H.HSU	07/10/07



DETAIL:A
PATENTED



汽車用產品

DWG NO. EP6-6P-L-2.2-D-1

PART NO.	MATERIAL (BOBBIN)	MATERIAL (TERMINAL)	TERMINAL (PLATING)	PIN ALLOCATION	NOTE
△14 TBI-103-07041.104	PM-9630JT	P.B	Sn	CUT PIN# 5	
△15 TBI-103-07041.114	PM-9630JT	P.B	Sn	ALL PIN	

△14 TBI-103-07041.104

PM-9630JT

P.B

Sn

CUT PIN# 5

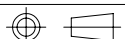
△15 TBI-103-07041.114

PM-9630JT

P.B

Sn

ALL PIN



TOLERANCE: .X±0.15 .XX±0.10 .XXX±0.05

UNIT : m/m

SCALE 6 : 1

Finish: 1. Pb wire Immersion Sn on terminal : Thickness:Sn plating,100,5 μm (200 μ inches) min,Base nickel 1-2 μm (40-80 μ inches) min.
 2. CP wire Immersion Sn on terminal : Thickness:Sn plating,100,5 μm (200 μ inches) min.
 3. Coplanarity deviation: 0.10 mm (0.004 inches) max.

REV 17