

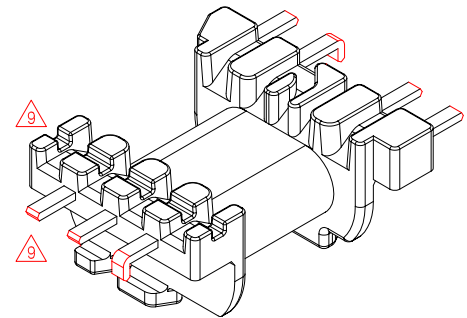
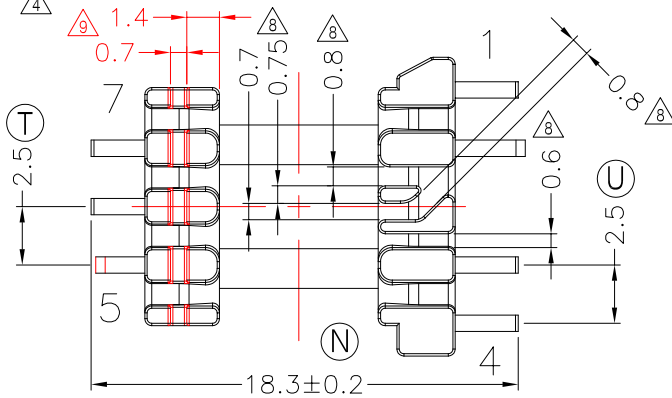
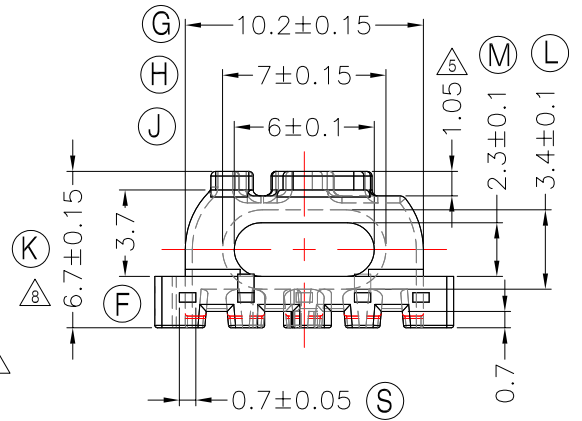
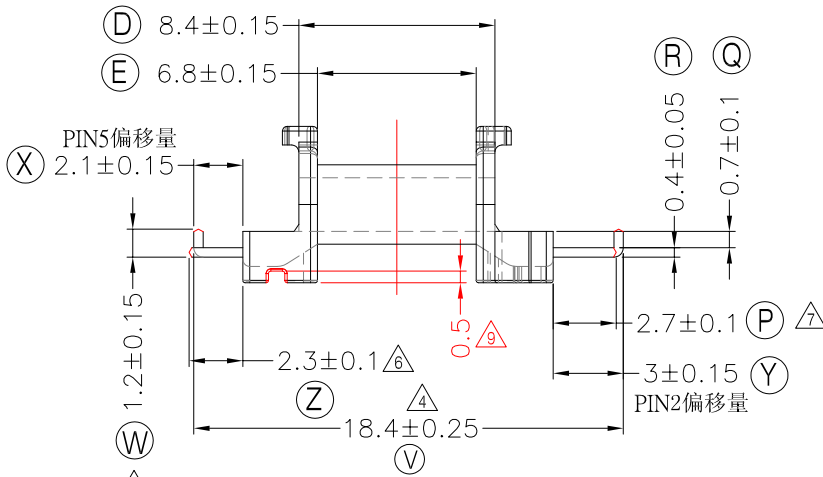
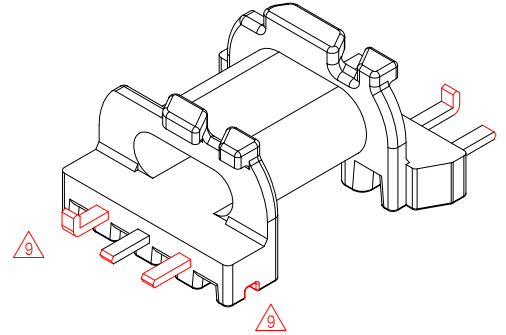
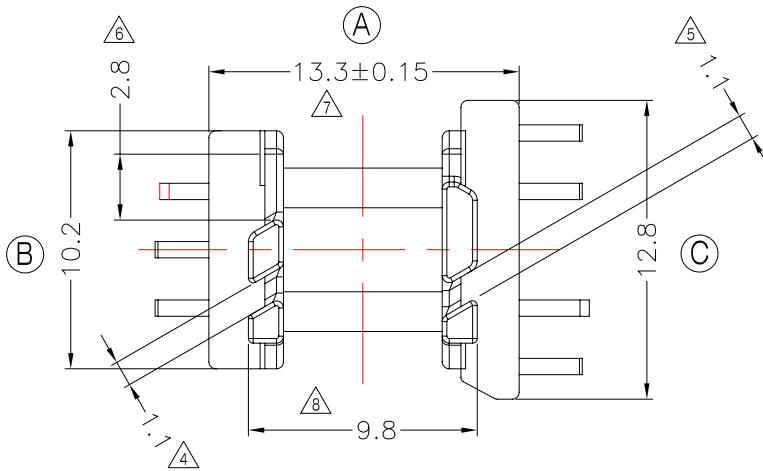


**TRANSFORMER BOBBIN
INDUSTRIAL CO.,LTD.**

Tel : 86-769-88789999 Fax : 86-769-88789989
http:// tbi-tw.com e-mail : tb6688@ms46.hinet.net

REVISIONS

| REV | SYM | DRAFTER | CHECKER | DATE |
|-----|-----|---------|----------|----------|
| △7 | | X.H.GU | G.F.YANG | 02/01/13 |
| △8 | | X.H.GU | G.F.YANG | 04/02/13 |
| △9 | | X.H.GU | G.F.YANG | 05/02/13 |



DWG NO. EPC13.5-13.2-7P-GW-0D-11 △2

| PART NO. | MATERIAL (BOBBIN) | MATERIAL (TERMINAL) | TERMINAL (PLATING) | PIN ALLOCATION | NOTE |
|--------------------|-------------------|---------------------|--------------------|----------------|----------|
| TBI-106-04041.1106 | PM-9630 | CP WIRE | Sn | ALL PIN | S |
| TBI-106-04041.1116 | PM-9630 | CP WIRE | Sn | CUT PIN 5 | H |
| TBI-106-04041.1126 | PM-9630 | CP WIRE | Sn | CUT PIN 7 | |
| TBI-106-04041.1133 | PM-9630 | PB | Sn | CUT PIN 7 | PIN 切斷V型 |

| PART NO. | MATERIAL (BOBBIN) | MATERIAL (TERMINAL) | TERMINAL (PLATING) | PIN ALLOCATION | NOTE |
|--------------------|-------------------|---------------------|--------------------|----------------|----------|
| TBI-106-04041.1106 | PM-9630 | CP WIRE | Sn | ALL PIN | S |
| TBI-106-04041.1116 | PM-9630 | CP WIRE | Sn | CUT PIN 5 | H |
| TBI-106-04041.1126 | PM-9630 | CP WIRE | Sn | CUT PIN 7 | |
| TBI-106-04041.1133 | PM-9630 | PB | Sn | CUT PIN 7 | PIN 切斷V型 |

| PART NO. | MATERIAL (BOBBIN) | MATERIAL (TERMINAL) | TERMINAL (PLATING) | PIN ALLOCATION | NOTE |
|--------------------|-------------------|---------------------|--------------------|----------------|----------|
| TBI-106-04041.1106 | PM-9630 | CP WIRE | Sn | ALL PIN | S |
| TBI-106-04041.1116 | PM-9630 | CP WIRE | Sn | CUT PIN 5 | H |
| TBI-106-04041.1126 | PM-9630 | CP WIRE | Sn | CUT PIN 7 | |
| TBI-106-04041.1133 | PM-9630 | PB | Sn | CUT PIN 7 | PIN 切斷V型 |

| PART NO. | MATERIAL (BOBBIN) | MATERIAL (TERMINAL) | TERMINAL (PLATING) | PIN ALLOCATION | NOTE |
|--------------------|-------------------|---------------------|--------------------|----------------|----------|
| TBI-106-04041.1106 | PM-9630 | CP WIRE | Sn | ALL PIN | S |
| TBI-106-04041.1116 | PM-9630 | CP WIRE | Sn | CUT PIN 5 | H |
| TBI-106-04041.1126 | PM-9630 | CP WIRE | Sn | CUT PIN 7 | |
| TBI-106-04041.1133 | PM-9630 | PB | Sn | CUT PIN 7 | PIN 切斷V型 |

| PART NO. | MATERIAL (BOBBIN) | MATERIAL (TERMINAL) | TERMINAL (PLATING) | PIN ALLOCATION | NOTE |
|--------------------|-------------------|---------------------|--------------------|----------------|----------|
| TBI-106-04041.1106 | PM-9630 | CP WIRE | Sn | ALL PIN | S |
| TBI-106-04041.1116 | PM-9630 | CP WIRE | Sn | CUT PIN 5 | H |
| TBI-106-04041.1126 | PM-9630 | CP WIRE | Sn | CUT PIN 7 | |
| TBI-106-04041.1133 | PM-9630 | PB | Sn | CUT PIN 7 | PIN 切斷V型 |

| PART NO. | MATERIAL (BOBBIN) | MATERIAL (TERMINAL) | TERMINAL (PLATING) | PIN ALLOCATION | NOTE |
|--------------------|-------------------|---------------------|--------------------|----------------|----------|
| TBI-106-04041.1106 | PM-9630 | CP WIRE | Sn | ALL PIN | S |
| TBI-106-04041.1116 | PM-9630 | CP WIRE | Sn | CUT PIN 5 | H |
| TBI-106-04041.1126 | PM-9630 | CP WIRE | Sn | CUT PIN 7 | |
| TBI-106-04041.1133 | PM-9630 | PB | Sn | CUT PIN 7 | PIN 切斷V型 |

| PART NO. | MATERIAL (BOBBIN) | MATERIAL (TERMINAL) | TERMINAL (PLATING) | PIN ALLOCATION | NOTE |
|--------------------|-------------------|---------------------|--------------------|----------------|----------|
| TBI-106-04041.1106 | PM-9630 | CP WIRE | Sn | ALL PIN | S |
| TBI-106-04041.1116 | PM-9630 | CP WIRE | Sn | CUT PIN 5 | H |
| TBI-106-04041.1126 | PM-9630 | CP WIRE | Sn | CUT PIN 7 | |
| TBI-106-04041.1133 | PM-9630 | PB | Sn | CUT PIN 7 | PIN 切斷V型 |

| PART NO. | MATERIAL (BOBBIN) | MATERIAL (TERMINAL) | TERMINAL (PLATING) | PIN ALLOCATION | NOTE |
|--------------------|-------------------|---------------------|--------------------|----------------|----------|
| TBI-106-04041.1106 | PM-9630 | CP WIRE | Sn | ALL PIN | S |
| TBI-106-04041.1116 | PM-9630 | CP WIRE | Sn | CUT PIN 5 | H |
| TBI-106-04041.1126 | PM-9630 | CP WIRE | Sn | CUT PIN 7 | |
| TBI-106-04041.1133 | PM-9630 | PB | Sn | CUT PIN 7 | PIN 切斷V型 |

| PART NO. | MATERIAL (BOBBIN) | MATERIAL (TERMINAL) | TERMINAL (PLATING) | PIN ALLOCATION | NOTE |
|--------------------|-------------------|---------------------|--------------------|----------------|----------|
| TBI-106-04041.1106 | PM-9630 | CP WIRE | Sn | ALL PIN | S |
| TBI-106-04041.1116 | PM-9630 | CP WIRE | Sn | CUT PIN 5 | H |
| TBI-106-04041.1126 | PM-9630 | CP WIRE | Sn | CUT PIN 7 | |
| TBI-106-04041.1133 | PM-9630 | PB | Sn | CUT PIN 7 | PIN 切斷V型 |

| PART NO. | MATERIAL (BOBBIN) | MATERIAL (TERMINAL) | TERMINAL (PLATING) | PIN ALLOCATION | NOTE |
|--------------------|-------------------|---------------------|--------------------|----------------|----------|
| TBI-106-04041.1106 | PM-9630 | CP WIRE | Sn | ALL PIN | S |
| TBI-106-04041.1116 | PM-9630 | CP WIRE | Sn | CUT PIN 5 | H |
| TBI-106-04041.1126 | PM-9630 | CP WIRE | Sn | CUT PIN 7 | |
| TBI-106-04041.1133 | PM-9630 | PB | Sn | CUT PIN 7 | PIN 切斷V型 |

| PART NO. | MATERIAL (BOBBIN) | MATERIAL (TERMINAL) | TERMINAL (PLATING) | PIN ALLOCATION | NOTE |
|--------------------|-------------------|---------------------|--------------------|----------------|----------|
| TBI-106-04041.1106 | PM-9630 | CP WIRE | Sn | ALL PIN | S |
| TBI-106-04041.1116 | PM-9630 | CP WIRE | Sn | CUT PIN 5 | H |
| TBI-106-04041.1126 | PM-9630 | CP WIRE | Sn | CUT PIN 7 | |
| TBI-106-04041.1133 | PM-9630 | PB | Sn | CUT PIN 7 | PIN 切斷V型 |

Finish: 1. PB wire Immersion Sn on terminal : Thickness:Sn plating,100,5 μm (200 μ inches) min,Base nickel 0.625 μm (25 μ inches) min.
2. CP wire Immersion Sn on terminal : Thickness:Sn plating,100,5 μm (200 μ inches) min.
3. Coplanarity deviation: 0.10 mm (0.004 inches) max.

REV 9