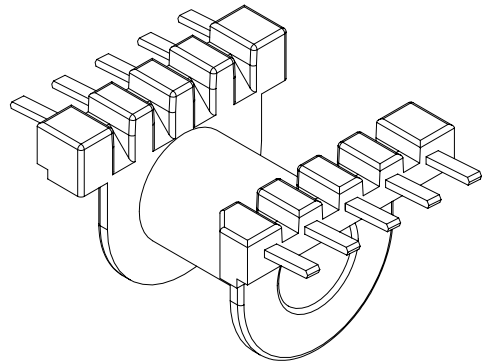
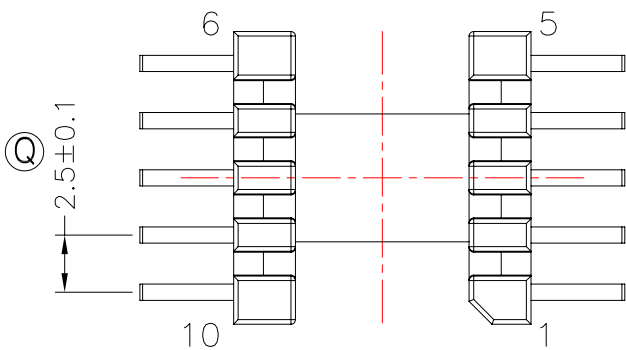
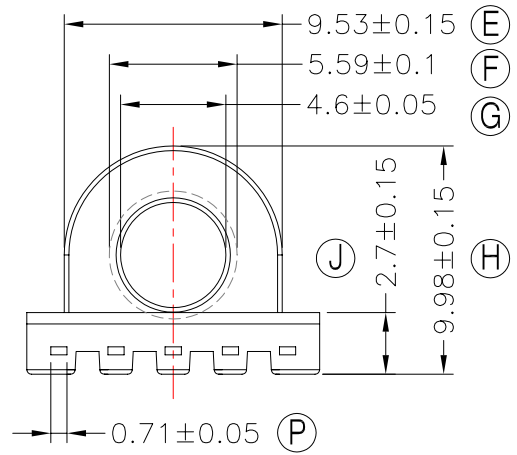
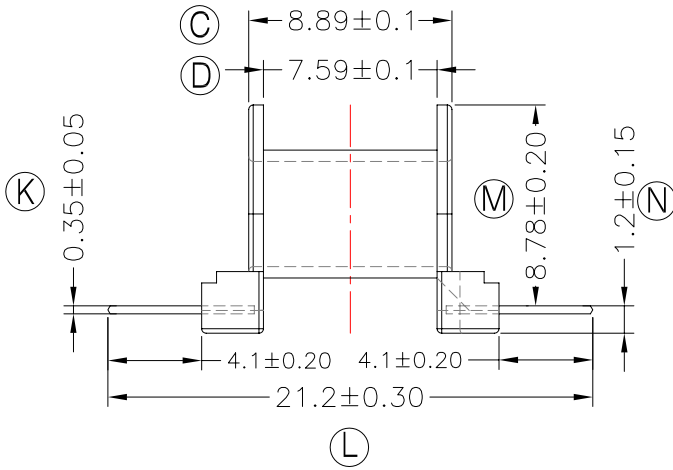
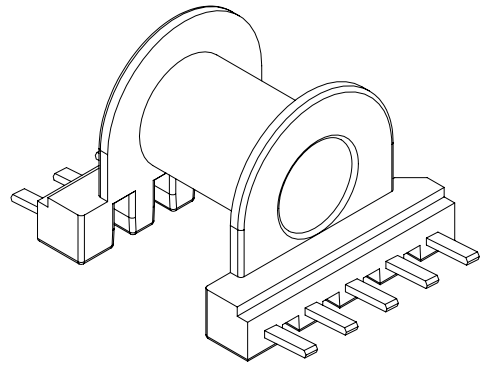
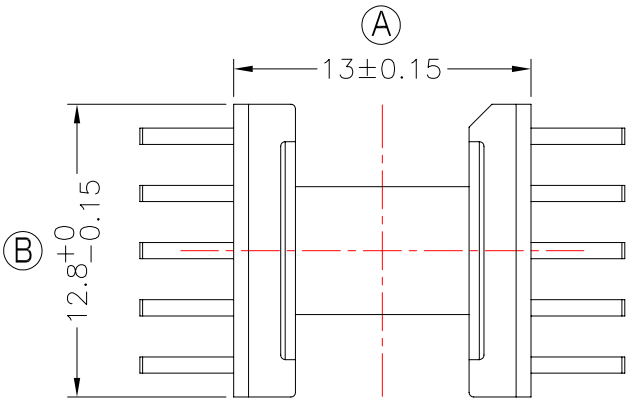




TRANSFORMER BOBBIN
INDUSTRIAL CO.,LTD.

Tel : 86-769-88789999 Fax : 86-769-88789989
http:// tbi-tw.com e-mail : tb6688@ms46.hinet.net

REVISIONS				
REV	SYM	DRAFTER	CHECKER	DATE
△1		X.H.GU	G.F.YANG	05/24/12
△2				
△3				



拉力: 1.0kg Min
共面度: 0.1MAX

DWG NO.	EP13-10P-GW-2.5-5D-11				
PART NO.	MATERIAL (BOBBIN)	MATERIAL (TERMINAL)	TERMINAL (PLATING)	PIN ALOCATION	NOTE
TBI-103-03541.1103	PM-9630	PB	Sn	ALL PIN	
					H
	TOLERANCE: 0<L<=4: ±0.1 4<L<=16: ±0.2 16<L<=63: ±0.3			UNIT : m / m	SCALE 3: 1
Finish:	1. PB wire Immersion Sn on terminal : Thickness:Sn plating,100,5 μm (200 μ inches) min,Base nickel 0.625 μm (25 μ inches) min.				REV
	2. CP wire Immersion Sn on terminal : Thickness:Sn plating,100,5 μm (200 μ inches) min.				1
	3. Coplanarity deviation: 0.10 mm (0.004 inches) max.				