

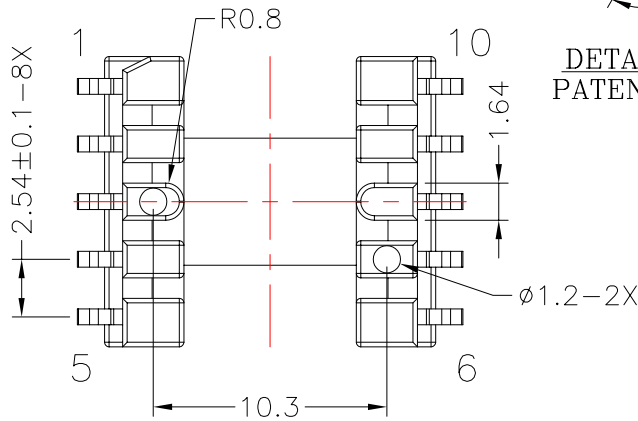
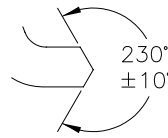
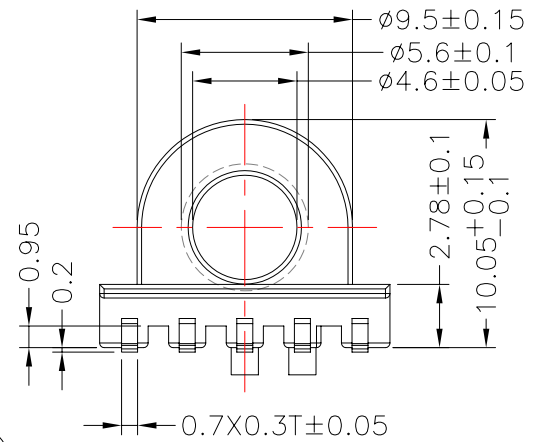
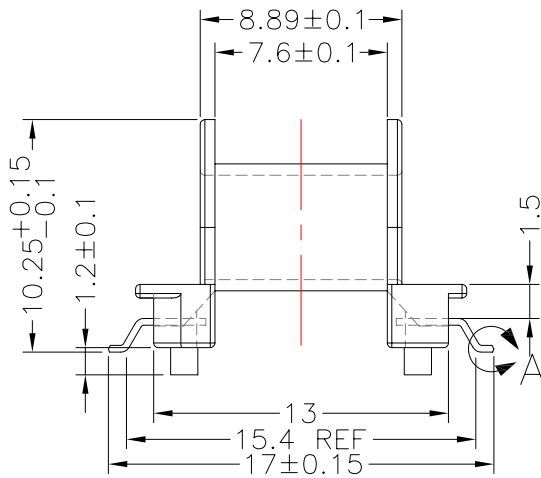
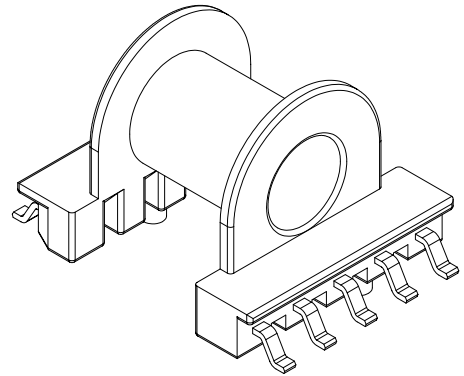
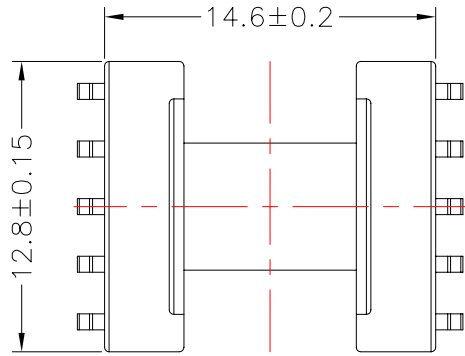


TRANSFORMER BOBBIN
INDUSTRIAL CO.,LTD.

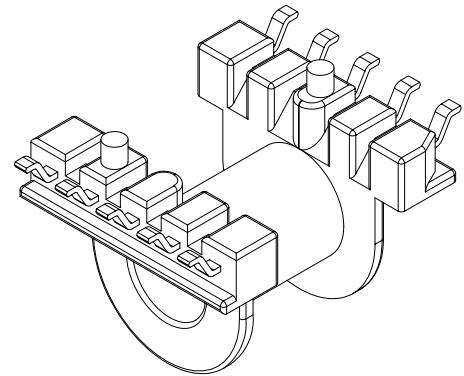
Tel : 86-769-88789999 Fax : 86-769-88789989
http:// tbi-tw.com e-mail : tb6688@ms46.hinet.net

REVISIONS

REV	SYM	DRAFTER	CHECKER	DATE
①		S.Y.TANG	W.H.HSU	11/12/07
②				
③				



DETAIL:A
PATENTED



DWG NO.	EP13-10P-GW-2.54-3B-13			PIN ALLOCATION	NOTE
PART NO.	MATERIAL (BOBBIN)	MATERIAL (TERMINAL)	TERMINAL (PLATING)		
TBI-103-03321.1303	T355J	PB	Sn	ALL PIN	
TBI-103-03321.1313	T355J	PB	Sn	CUT PIN #3	

	TOLERANCE: .X±0.15 .XX±0.10 .XXX±0.05	UNIT : m / m	SCALE 3: 1
--	---------------------------------------	--------------	------------

Finish:	1. Pb wire Immersion Sn on terminal : Thickness:Sn plating,100,5 μm (200 μ inches) min,Base nickel 0.625 μm (25 μ inches) min. 2. CP wire Immersion Sn on terminal : Thickness:Sn plating,100,5 μm (200 μ inches) min. 3. Coplanarity deviation: 0.10 mm (0.004 inches) max.	REV	1
---------	--	-----	---