

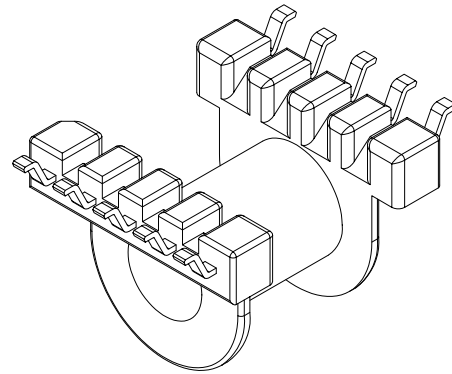
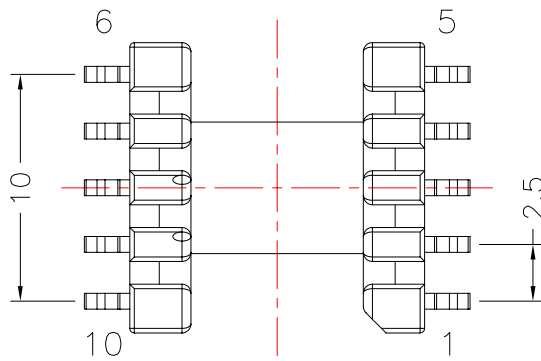
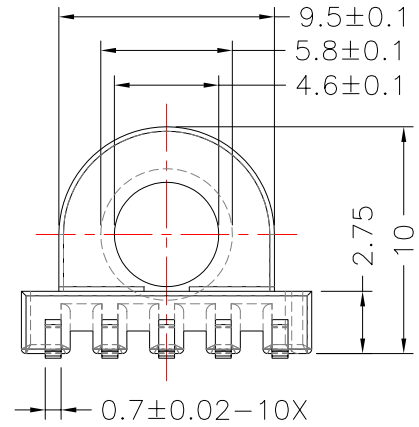
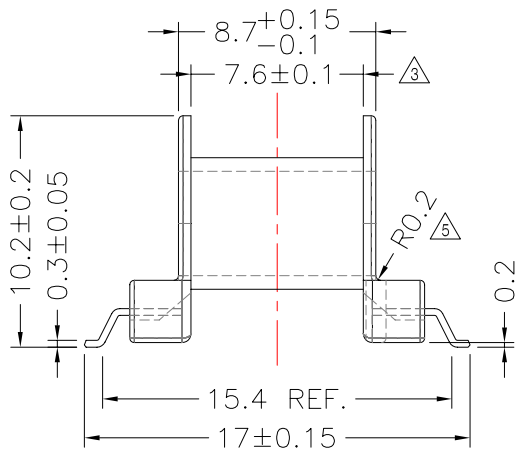
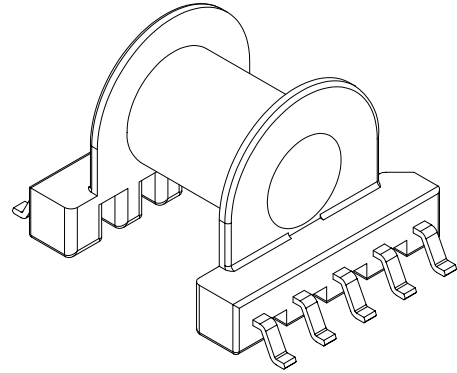
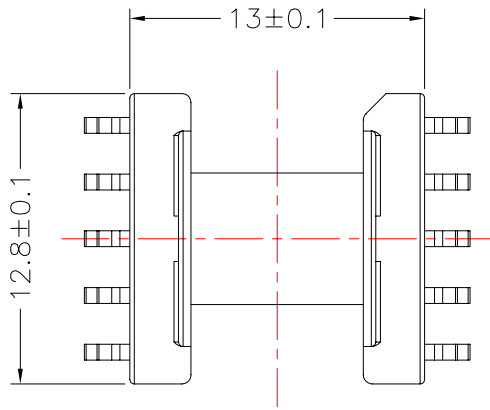


**TRANSFORMER BOBBIN INDUSTRIAL CO.,LTD.**

Tel : 86-769-88789999 Fax : 86-769-88789989  
 http:// tbi-tw.com e-mail : tb6688@ms46.hinet.net

REVISIONS

REV	SYM	DRAFTER	CHECKER	DATE
△3		S.Y.TANG	W.H.HSU	06/06/07
△4		S.Y.TANG	W.H.HSU	07/12/07
△5		S.Y.TANG	W.H.HSU	06/12/08



Notes: Pull Strenght 1.36 kg (min)

DWG NO.	EP13-10P-GW-2.5-3A-2				
PART NO.	MATERIAL (BOBBIN)	MATERIAL (TERMINAL)	TERMINAL (PLATING)	PIN ALLOCATION	NOTE
TBI-103-03311.203	AM-113	P.B	Sn	ALL PIN	042-0841.001
TOLERANCE: .X±0.15 .XX±0.10 .XXX±0.05					
UNIT : m / m				SCALE 3 : 1	
Finish:	1. Pb wire Immersion Sn on terminal : Thickness:Sn plating,100,5 μm (200 μ inches) min,Base nickel 1~2.54um (39~100u inches) min.				REV 5
	2. CP wire Immersion Sn on terminal : Thickness:Sn plating,100,5 μm (200 μ inches) min.				
	3. Coplanarity deviation: 0.08mm (0.003 inches),max. △4				