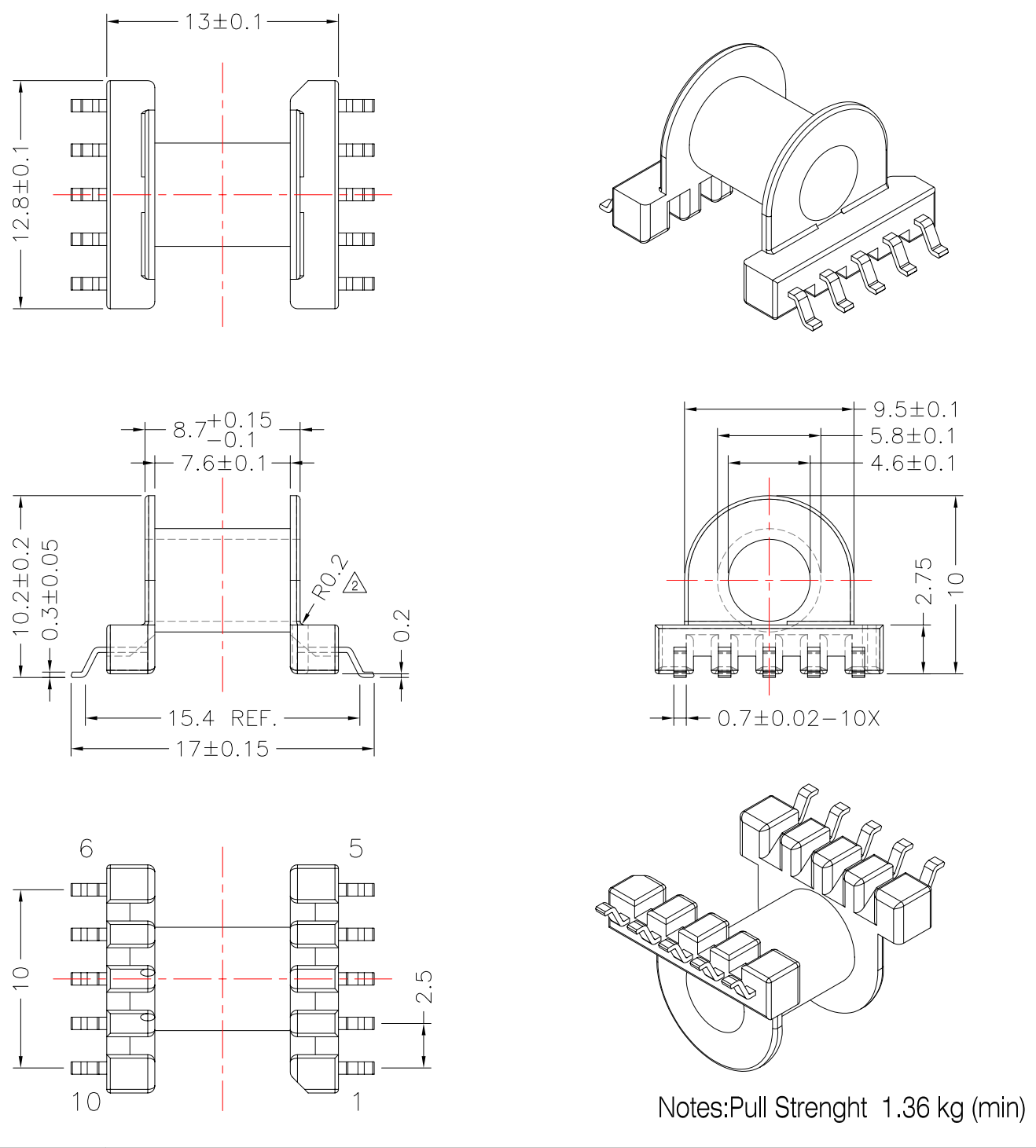




TRANSFORMER BOBBIN INDUSTRIAL CO.,LTD.

Tel : 86-769-88789999 Fax : 86-769-88789989  
 http:// tbi-tw.com e-mail : tb6688@ms46.hinet.net

REVISIONS				
REV	SYM	DRAFTER	CHECKER	DATE
△1		Y.G.HSU	W.H.HSU	03/17/07
△2		S.Y.TANG	W.H.HSU	06/12/08
△3				



DWG NO.	EP13-10P-GW-2.5-3A-1				
PART NO.	MATERIAL (BOBBIN)	MATERIAL (TERMINAL)	TERMINAL (PLATING)	PIN ALLOCATION	NOTE
TBI-103-03311.103	PM-9630	P.B	Sn	ALL PIN	
TOLERANCE:	.X±0.15 .XX±0.10 .XXX±0.05			UNIT : m / m	SCALE 3 : 1
Finish:	1. Pb wire Immersion Sn on terminal : Thickness:Sn plating,100,5 μm (200 μinches) min,Base nickel 1~2.54um (39~100u inches) min. 2. CP wire Immersion Sn on terminal : Thickness:Sn plating,100,5 μm (200 μinches) min. 3. Coplanarity deviation: 0.08mm (0.003 inches).max.				REV 2