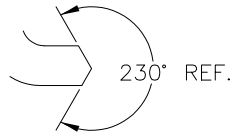
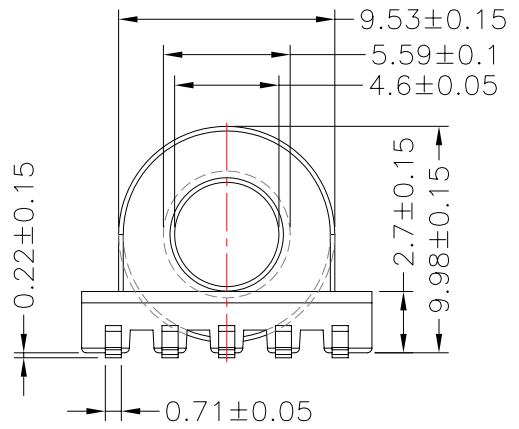
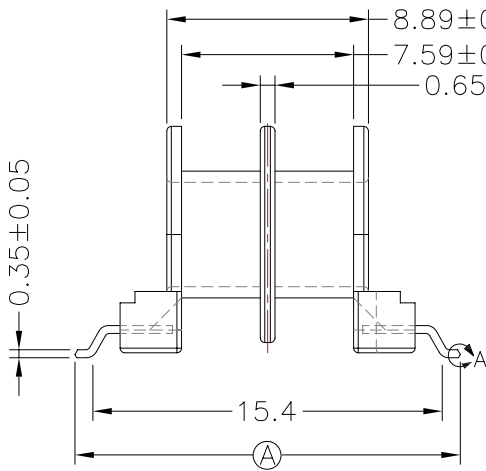
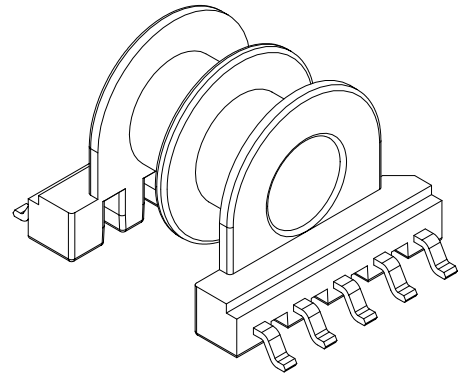
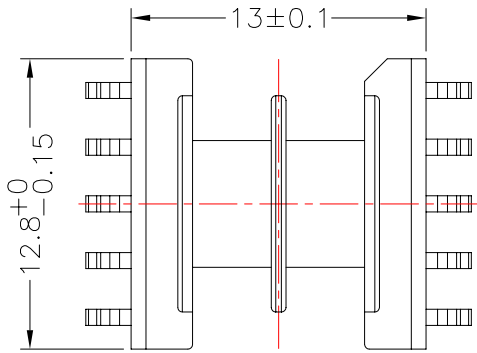




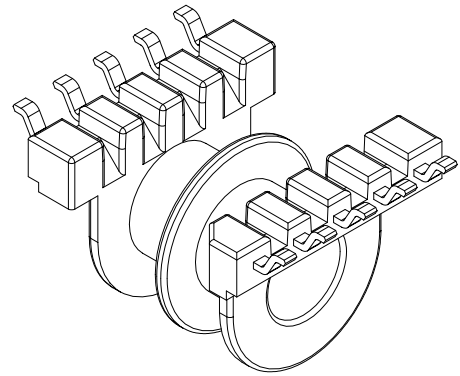
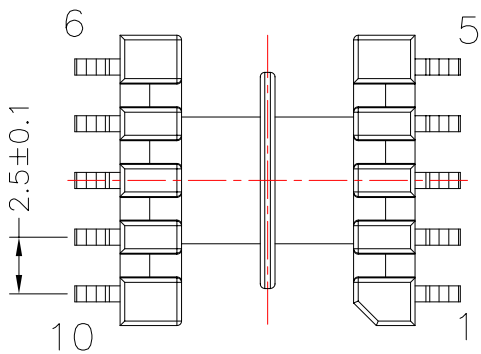
**TRANSFORMER BOBBIN  
INDUSTRIAL CO.,LTD.**

Tel : 86-769-88789999 Fax : 86-769-88789989  
http:// tbi-tw.com e-mail : tb6688@ms46.hinet.net

REVISIONS				
REV	SYM	DRAFTER	CHECKER	DATE
△1		K.F.YANG	W.H.HSU	06/16/06
△2		S.Y.TANG	W.H.HSU	09/25/07
△3				



DETAIL:A  
PATENTED



△ Notes: Pull Strenght 1.0 kg (min)

DWG NO.	EP13-10P-GW-2.5-2G-1-2S				
PART NO.	MATERIAL (BOBBIN)	MATERIAL (TERMINAL)	TERMINAL (PLATING)	PIN ALLOCATION	NOTE
TBI-103-03272.103	PM-9630	P.B	Sn	ALL PIN (A) = 16.99±0.15	
TBI-103-03272.113	PM-9630	P.B	Sn	NO PIN # 3 (A) = 16.99±0.15	
TBI-103-03272.123	PM-9630	P.B	Sn	ALL PIN (A) = 18.8±0.15	

TOLERANCE: .X±0.15 .XX±0.10 .XXX±0.05      UNIT : m / m      SCALE 3: 1

Finish: 1. Pb wire Immersion Sn on terminal : Thickness: Sn plating, 100,5 μm (200 μ inches) min, Base nickel 0.625 μm (25 μ inches) min.  
2. CP wire Immersion Sn on terminal : Thickness: Sn plating, 100,5 μm (200 μ inches) min.  
3. Coplanarity deviation: 0.10 mm (0.004 inches) max.

REV 2