

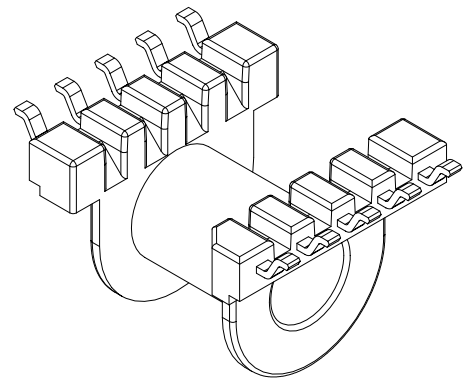
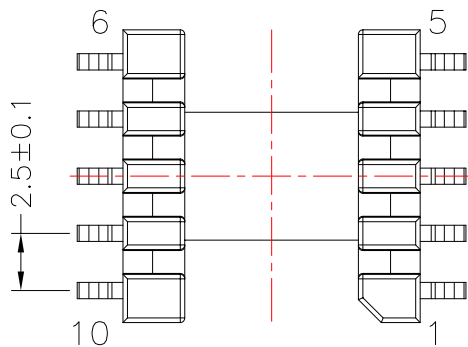
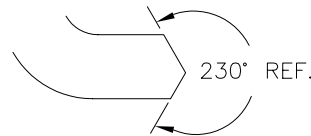
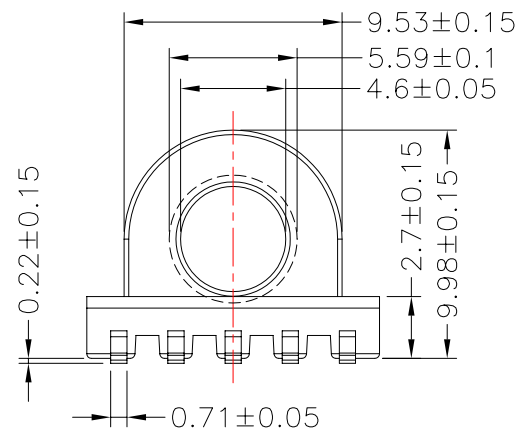
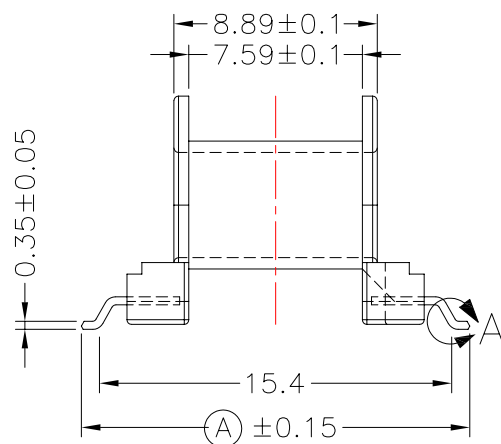
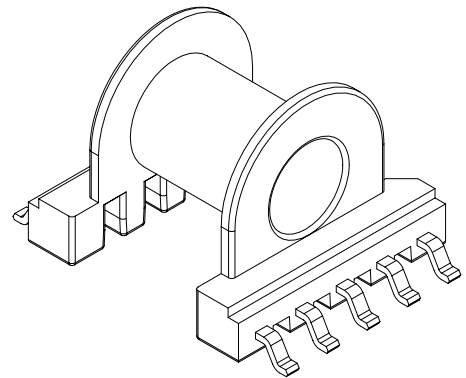
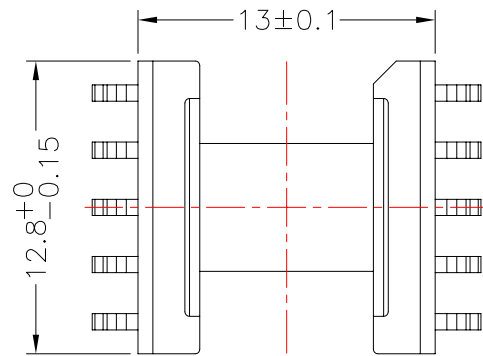


TRANSFORMER BOBBIN  
INDUSTRIAL CO.,LTD.

Tel : 86-769-88789999 Fax : 86-769-88789989  
http:// tbi-tw.com e-mail : tb6688@ms46.hinet.net

REVISIONS

REV	SYM	DRAFTER	CHECKER	DATE
1		K.F.YANG	S.M.SHIH	11/11/06
2		K.F.YANG	S.M.SHIH	03/12/07
3				



DWG NO. EP13-10P-GW-2.5-2G-1

PART NO.	MATERIAL (BOBBIN)	MATERIAL (TERMINAL)	TERMINAL (PLATING)	PIN ALOCATION	NOTE
TBI-103-03271.103	PM-9630JT	P.B	Sn	ALL PIN A = 16.99±0.15	
TBI-103-03271.113	PM-9630JT	P.B	Sn	NO PIN # 3 A = 16.99±0.15	
TBI-103-03271.123	PM-9630JT	P.B	Sn	ALL PIN A = 18.8±0.15	

TOLERANCE: .X±0.15 .XX±0.10 .XXX±0.05 UNIT : m / m SCALE 3: 1

Finish: 1. Pb wire Immersion Sn on terminal : Thickness:Sn plating,100,5 μm (200 μ inches) min,Base nickel 0.625 μm (25 μ inches) min.

2. CP wire Immersion Sn on terminal : Thickness:Sn plating,100,5 μm (200 μ inches) min.

3. Coplanarity deviation: 0.10 mm (0.004 inches) max.

REV 2