

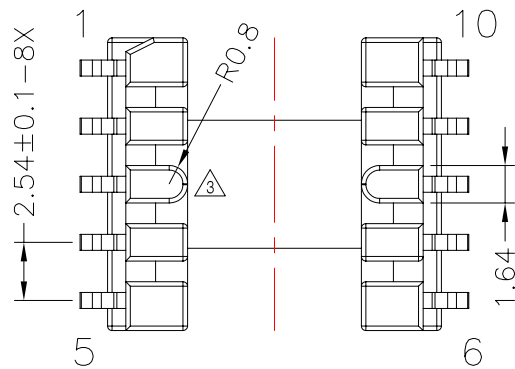
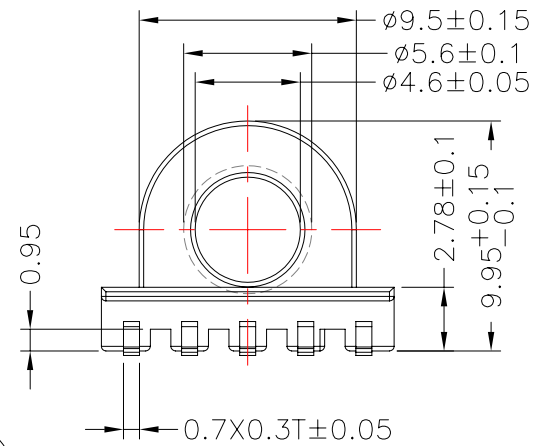
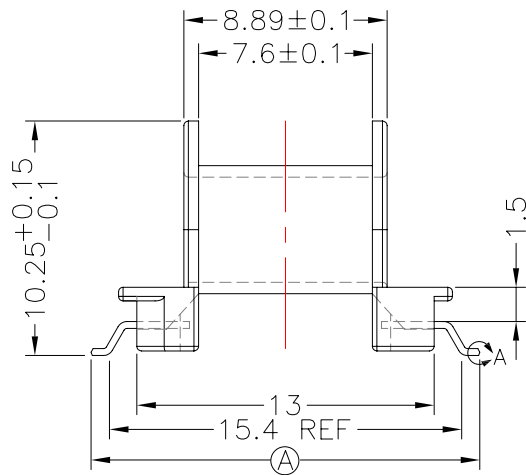
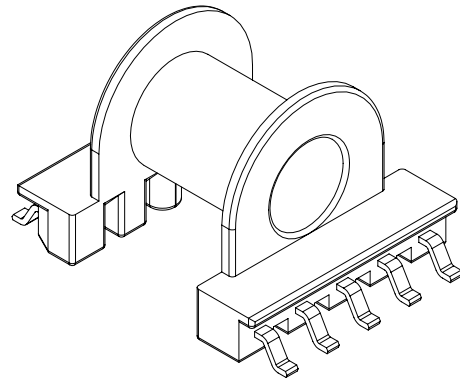
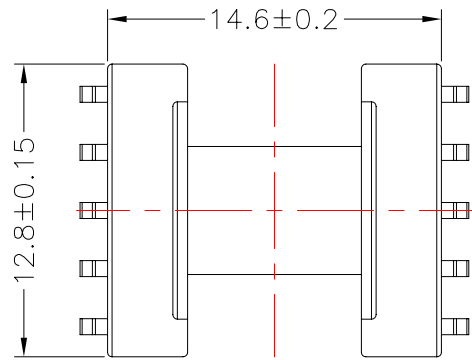


TRANSFORMER BOBBIN  
INDUSTRIAL CO.,LTD.

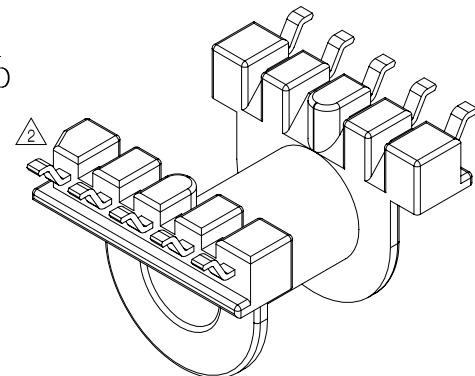
Tel : 86-769-88789999 Fax : 86-769-88789989  
http:// tbi-tw.com e-mail : tb6688@ms46.hinet.net

REVISIONS

REV	SYM	DRAFTER	CHECKER	DATE
1		K.F.YANG	S.M.SHIH	11/14/06
2		S.Y.TANG	S.M.SHIH	11/24/06
3		S.Y.TANG	S.M.SHIH	12/09/06



DETAIL:A  
PATENTED



NOTE:

拉力要求: 1.0 Kg Min.

DWG NO.	EP13-10P-GW-2.54-2F-1				
PART NO.	MATERIAL (BOBBIN)	MATERIAL (TERMINAL)	TERMINAL (PLATING)	PIN ALLOCATION	NOTE
TBI-103-03261.103	PM-9630	PB	Sn	ALL PIN (A)=17±0.15	
TBI-103-03261.113	PM-9630	PB	Sn	CUT PIN #3 (A)=17±0.15	H
TBI-103-03261.123	PM-9630	PB	Sn	ALL PIN (A)=17±0.15	52GEP1310N17 (合模線不可有毛邊)
TBI-103-03261.133	PM-9630	PB	Sn	ALL PIN (A)=18±0.15	
TBI-103-03261.143	PM-9630	PB	Sn	CUT PIN#2,3,8,9 (A)=17±0.15	
	TOLERANCE: .X±0.15 .XX±0.10 .XXX±0.05			UNIT : m / m	SCALE 3: 1

Finish: 1. PB wire Immersion Sn on terminal : Thickness:Sn plating,100,5 μm (200 μ inches) min,Base nickel 1-2 μm (40-80 μ inches) min.  
2. CP wire Immersion Sn on terminal : Thickness:Sn plating,100,5 μm (200 μ inches) min.  
3. Coplanarity deviation: 0.10 mm (0.004 inches) max.

REV	3
-----	---