

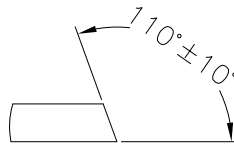
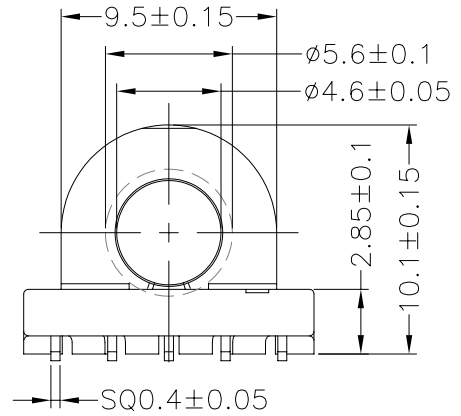
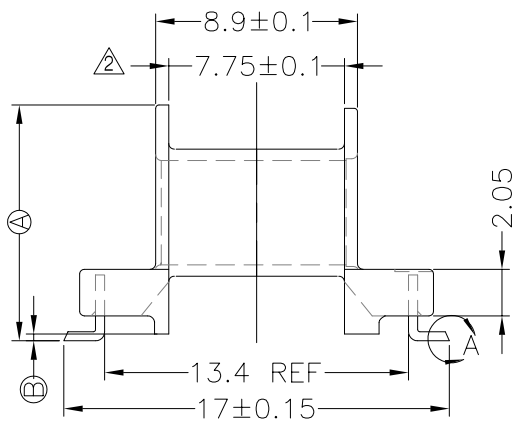
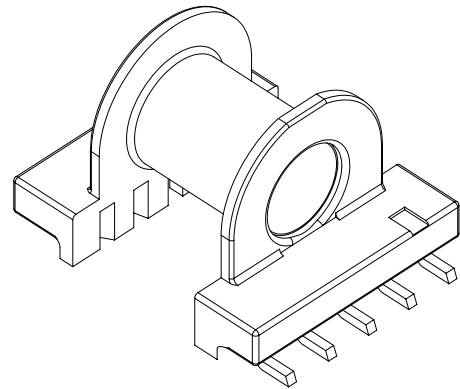
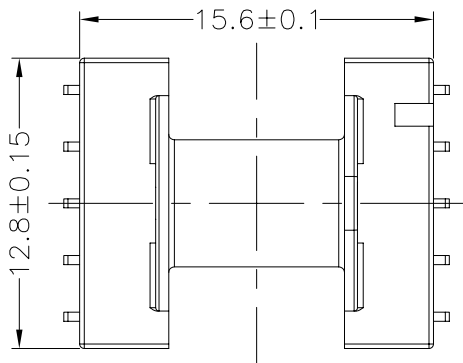


**TRANSFORMER BOBBIN  
INDUSTRIAL CO.,LTD.**

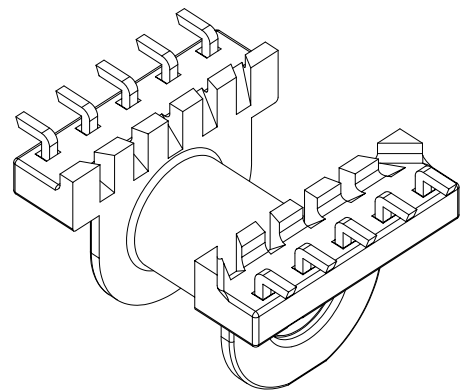
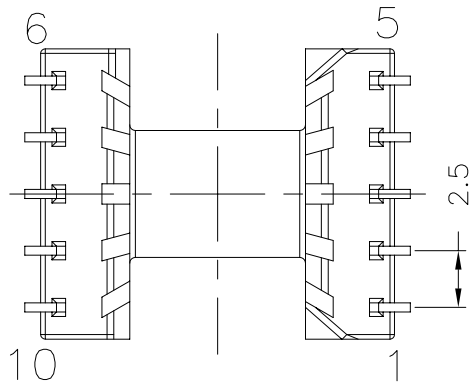
Tel : 86-769-88789999 Fax : 86-769-88789989  
http:// tbi-tw.com e-mail : tb6688@ms46.hinet.net

REVISIONS

REV	SYM	DRAFTER	CHECKER	DATE
2		T.S.LII	W.H.HSU	06/05/03
3		T.S.LII	W.H.HSU	07/24/06
4		S.Y.TANG	W.H.HSU	06/18/06

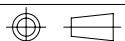


DETAIL:A-10:1  
(PATENTED)



DWG NO. EP13-10P-L-2.5-A7-1

PART NO.	MATERIAL (BOBBIN)	MATERIAL (TERMINAL)	TERMINAL (PLATING)	PIN ALLOCATION	NOTE
TBI-103-03171.103	PM-9630	P.B	Sn	ALL PIN (A)=10.4±0.2 (B)=0.3±0.15	
TBI-103-03171.113	PM-9630	P.B	Sn	ALL PIN (A)=11.0±0.2 (B)=0.9±0.15	



TOLERANCE: .X±0.15 .XX±0.10 .XXX±0.05

UNIT : m / m

SCALE 3 : 1

Finish: 1. Pb wire Immersion Sn on terminal : Thickness:Sn plating,100,5 μm (200 μ inches) min,Base nickel 0.625 μm (25 μ inches) min.  
2. CP wire Immersion Sn on terminal : Thickness:Sn plating,100,5 μm (200 μ inches) min.  
3. Coplanarity deviation: 0.10 mm (0.004 inches) max.

REV 4