

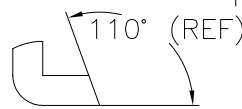
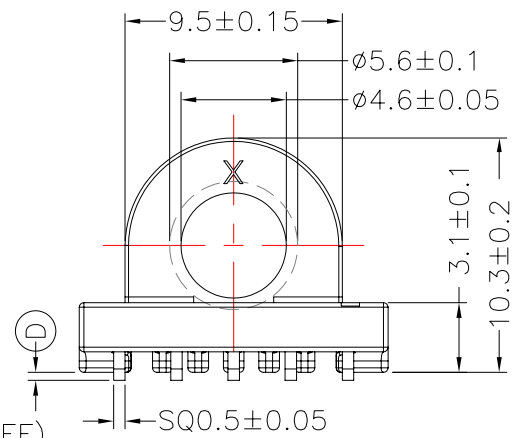
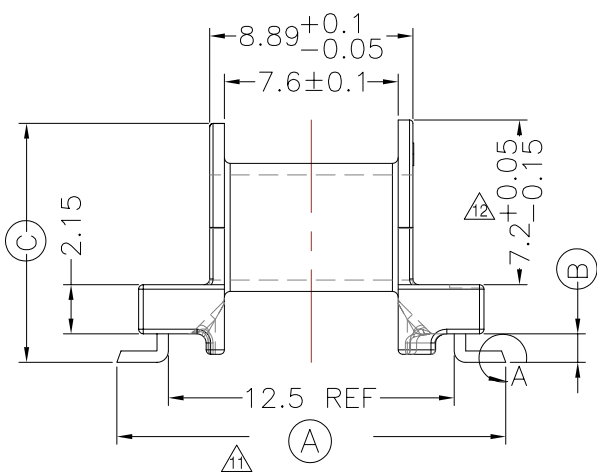
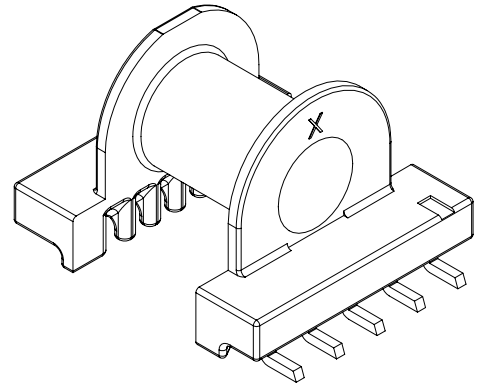
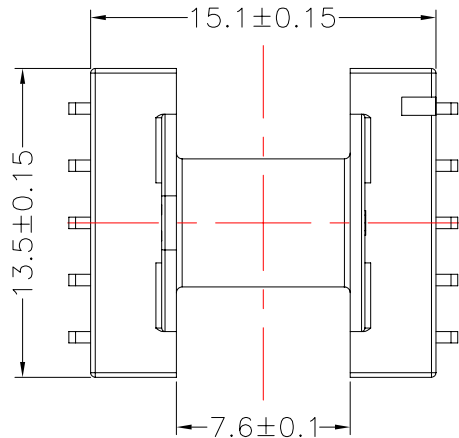


**TRANSFORMER BOBBIN
INDUSTRIAL CO.,LTD.**

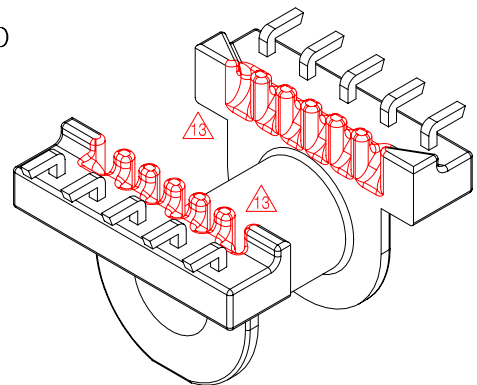
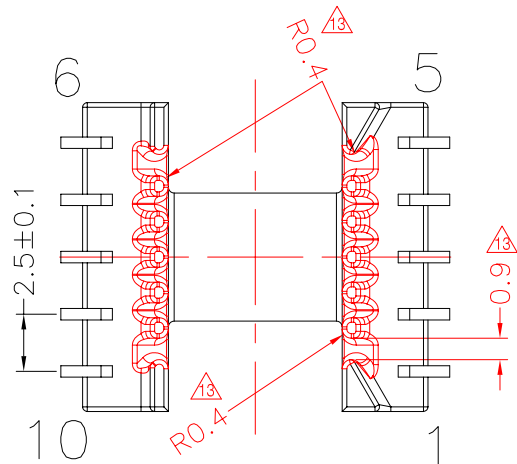
Tel : 86-769-88789999 Fax : 86-769-88789989
http:// tbi-tw.com e-mail : tb6688@ms46.hinet.net

REVISIONS

REV	SYM	DRAFTER	CHECKER	DATE
△1		T.S.LII	W.H.HSU	11/14/06
△2		T.S.LII	W.H.HSU	03/08/07
△3		X.H.GU	G.F.YANG	02/25/14



DETAIL:A
PATENTED



DWG NO. EP13-10P-L-2.5-A6-1

PART NO.	MATERIAL (BOBBIN)	MATERIAL (TERMINAL)	TERMINAL (PLATING)	PIN ALLOCATION	NOTE
TBI-103-03161.103	PM-9630	P.B	Sn △9	ALL PIN (A)=17±0.15 (B)=1.25 (C)=10.6±0.2 (D)=0.3±0.15	
△ TBI-103-03161.113	PM-9630	P.B	Sn	ALL PIN (A)=15.6±0.15 (B)=1.25 (C)=10.6±0.2 (D)=0.3±0.15	
TBI-103-03161.123	PM-9630	P.B	Sn	ALL PIN (A)=17±0.15 (B)=2.25 (C)=11.6±0.2 (D)=1.3±0.15	
TBI-103-03161.133	PM-9630	P.B	Sn	NO PIN #4,7 (A)=17±0.15 (B)=2.25 (C)=11.6±0.2 (D)=1.3±0.15	
TBI-103-03161.143	PM-9630	P.B	Sn	NO PIN #8 (A)=17±0.15 (B)=2.25 (C)=11.6±0.2 (D)=1.3±0.15	

TOLERANCE: .X±0.15 .XX±0.10 .XXX±0.05

UNIT : m / m

SCALE 3 : 1

Finish: 1. PB wire Immersion Sn on terminal : Thickness:Sn plating,100%,5 μm (200 μ inches) min,Base nickel 0.625 μm (25 μ inches) min.
2. CP wire Immersion Sn on terminal : Thickness:Sn plating,100%,5 μm (200 μ inches) min.
3. Coplanarity deviation: 0.10 mm (0.004 inches) max.

REV 13