

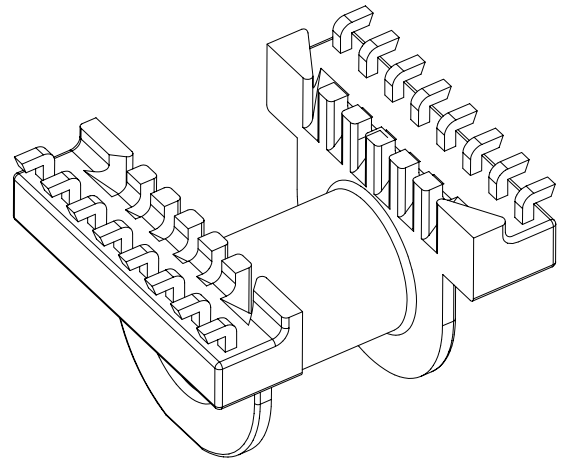
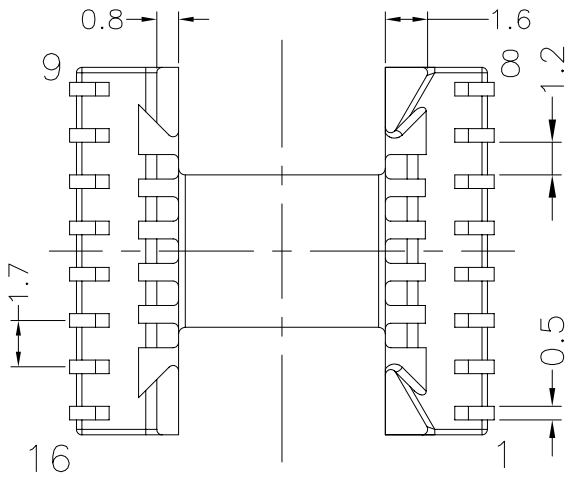
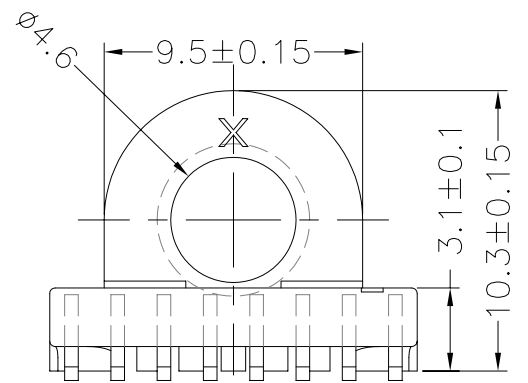
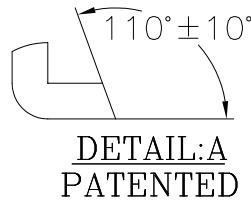
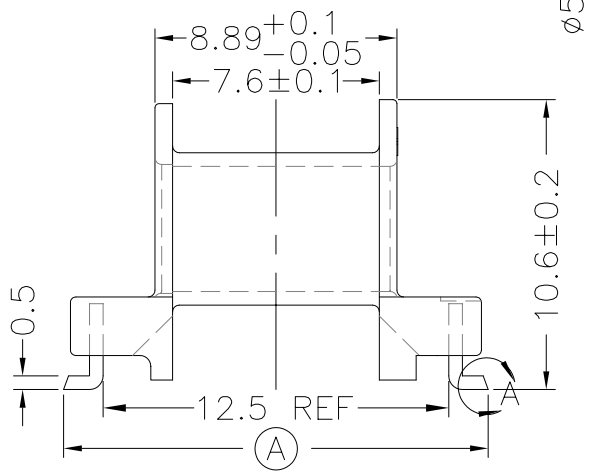
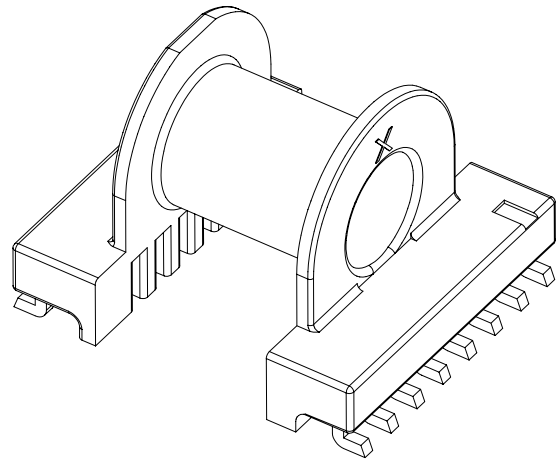
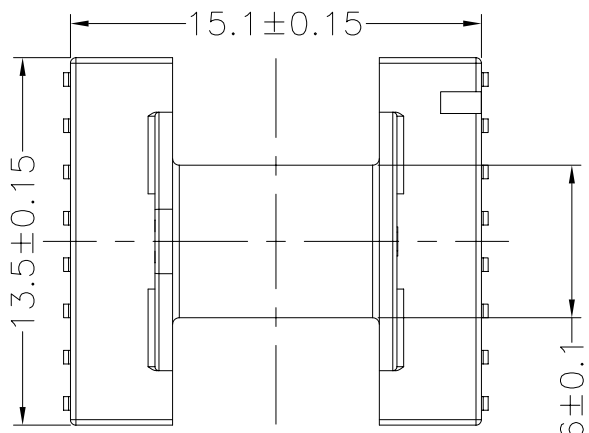


TRANSFORMER BOBBIN
INDUSTRIAL CO.,LTD.

Tel : 86-769-88789999 Fax : 86-769-88789989
http:// tbi-tw.com e-mail : tb6688@ms46.hinet.net

REVISIONS

REV	SYM	DRAFTER	CHECKER	DATE
①		Y.G.HSU	W.H.HSU	05/25/07
②				
③				



DWG NO. EP13-16P-L-1.7-A1-2

PART NO.	MATERIAL (BOBBIN)	MATERIAL (TERMINAL)	TERMINAL (PLATING)	PIN ALLOCATION	NOTE
TBI-103-03111.203	AM-113	P.B	Sn	ALL PIN , (A)=15.6±0.2	
TBI-103-03111.213	AM-113	P.B	Sn	NO PIN #10,12,13,15,(A)=15.6±0.2	
TBI-103-03111.223	AM-113	P.B	Sn	NO PIN #10,12,13,15,(A)=17.6±0.2	
TBI-103-03111.233	AM-113	P.B	Sn	NO PIN #10,12,13,15,(A)=16.35±0.2	
TBI-103-03111.243	AM-113	P.B	Sn	NO PIN #10 (A)=15.6±0.2	
TBI-103-03111.253	AM-113	P.B	Sn	NO PIN #10,12,13,15(A)=17±0.2	

TOLERANCE: .X±0.15 .XX±0.10 .XXX±0.05 UNIT : m / m SCALE 3 : 1

Finish: 1. Pb wire Immersion Sn on terminal : Thickness:Sn plating,100,5 μm (200 μ inches) min,Base nickel 0.625 μm (25 μ inches) min.
2. CP wire Immersion Sn on terminal : Thickness:Sn plating,100,5 μm (200 μ inches) min.
3. Coplanarity deviation: 0.10 mm (0.004 inches) max.

REV 1