

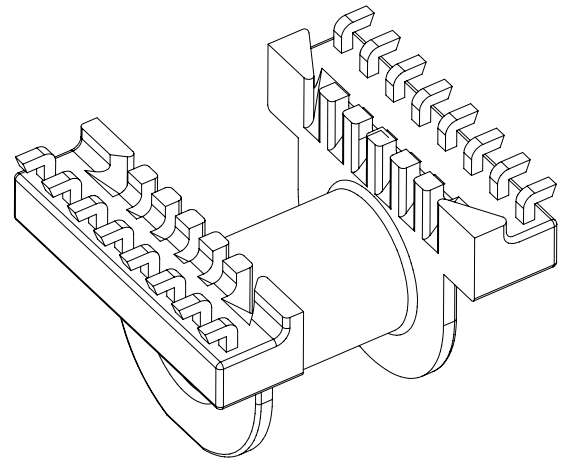
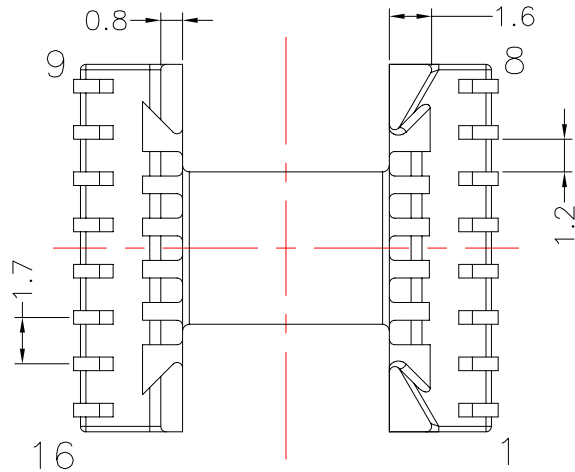
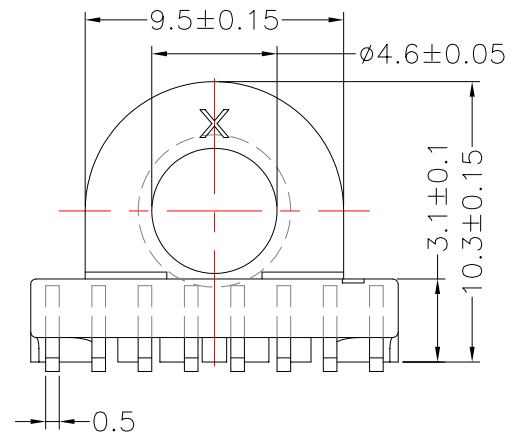
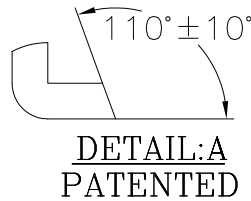
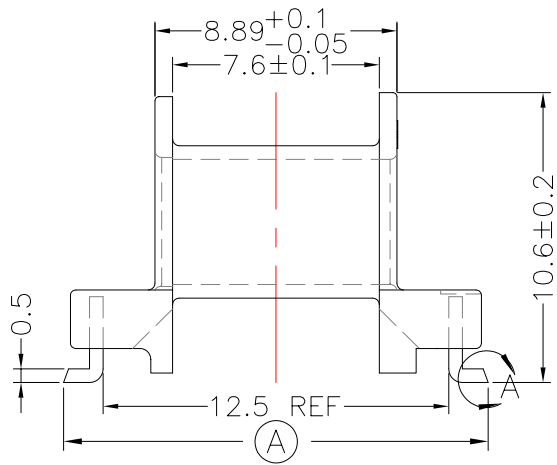
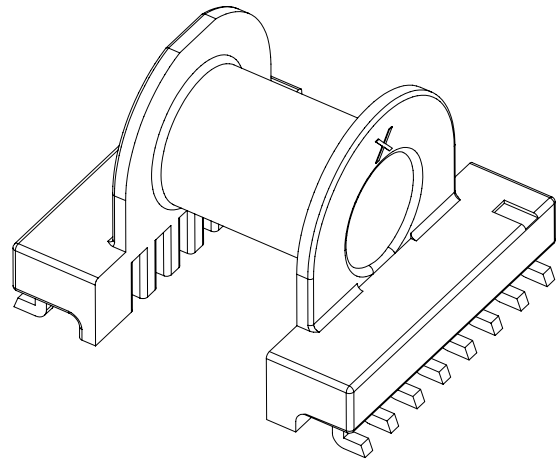
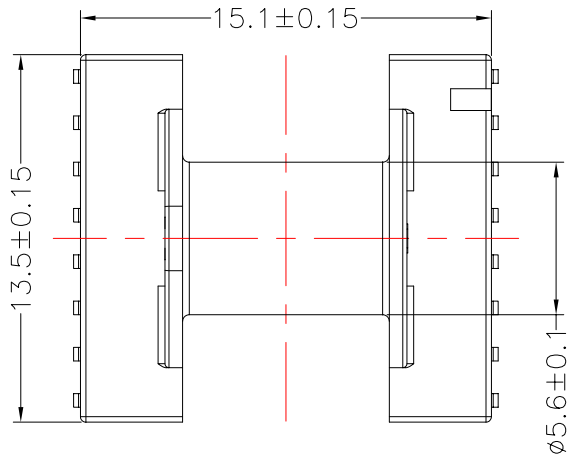


**TRANSFORMER BOBBIN INDUSTRIAL CO.,LTD.**

Tel : 86-769-88789999 Fax : 86-769-88789989  
 http:// tbi-tw.com e-mail : tb6688@ms46.hinet.net

REVISIONS

REV	SYM	DRAFTER	CHECKER	DATE
①		S.Y.TANG	G.F.YANG	07/15/09
②				
③				



DWG NO.	EP13-16P-L-1.7-A1-22				
PART NO.	MATERIAL (BOBBIN)	MATERIAL (TERMINAL)	TERMINAL (PLATING)	PIN ALLOCATION	NOTE
TBI-103-03111.2203	DAP WH-9100	PB	Sn	ALL PIN , (A)=15.6±0.2	
TBI-103-03111.2213	DAP WH-9100	PB	Sn	NO PIN #10,12,13,15 (A)=15.6±0.2	
TBI-103-03111.2223	DAP WH-9100	PB	Sn	NO PIN #10,12,13,15 (A)=17.6±0.2	
TBI-103-03111.2233	DAP WH-9100	PB	Sn	NO PIN #10,12,13,15 (A)=16.35±0.2	
TBI-103-03111.2243	DAP WH-9100	PB	Sn	NO PIN #10 (A)=15.6±0.2	
TBI-103-03111.2253	DAP WH-9100	PB	Sn	NO PIN #10,12,13,15 (A)=17±0.2	
	TOLERANCE: .X±0.15 .XX±0.10 .XXX±0.05			UNIT : m / m	SCALE 3 : 1
Finish:	1. PB wire Immersion Sn on terminal : Thickness:Sn plating,100,5 μm (200 μ inches) min,Base nickel 0.625 μm (25 μ inches) min. 2. CP wire Immersion Sn on terminal : Thickness:Sn plating,100,5 μm (200 μ inches) min. 3. Coplanarity deviation: 0.10 mm (0.004 inches) max.				REV 1