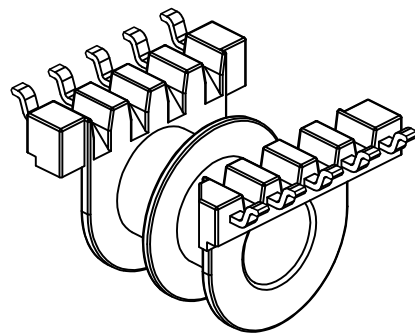
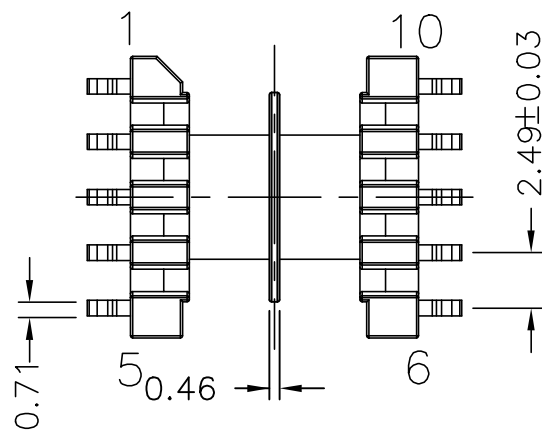
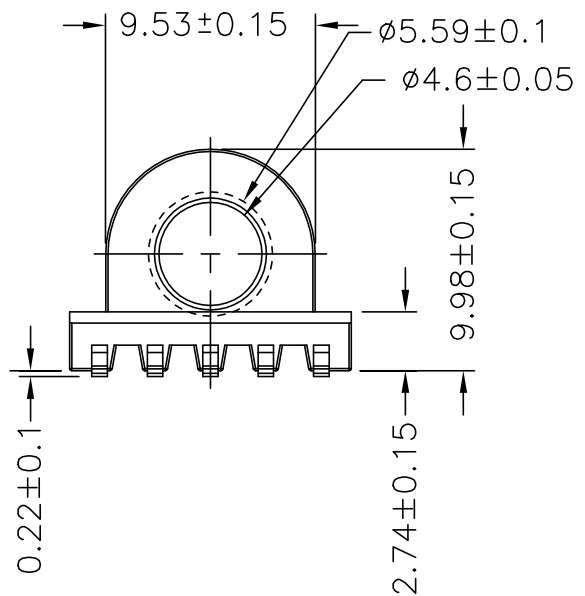
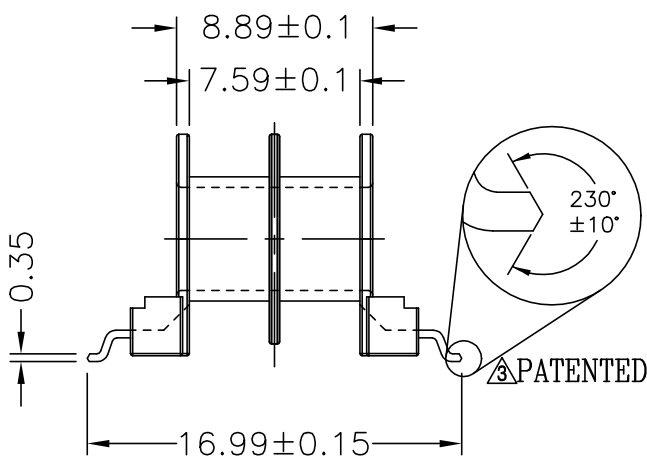
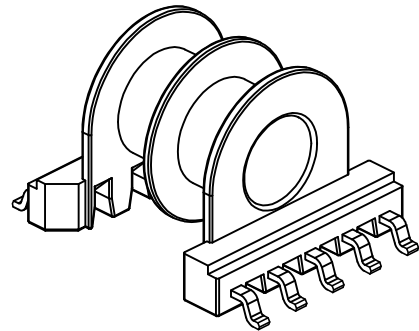
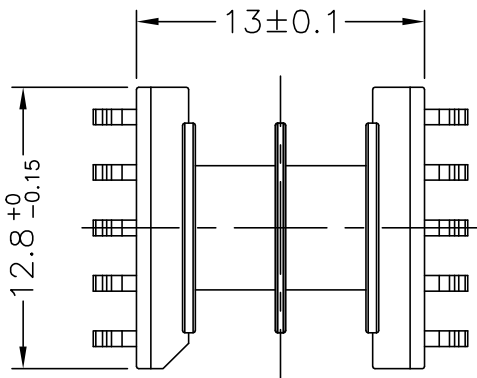


TBI TRANSFORMER BOBBIN INDUSTRIAL CO.,LTD.

Phone 886-2-22929999 Fax 886-2-22925236
E-MAIL: tb6688@ms46.hinet.net

REVISIONS

REV	SYM	DRAFTER	CHECKER	DATE
△		T.S.LII	W.H.HSU	12/13/00
△		T.S.LII	W.H.HSU	08/29/02
△		T.S.LII	W.H.HSU	12/24/02



PART NO. EP13-10P-GW-2.5-C-1-2S

DWG NO. TBI-103-03032.1XX

TBI NO.	MATERIAL (BOBBIN)	MATERIAL (TERMINAL)	TERMINAL (PLATING)
103-03032.1XX	PM-9630	P.B C5191	Au

PART NO.	REV	MODE NO	PIN LOCATION
		.101	ALL PIN

Finish:
1. Immersion gold on terminal.
Thickness gold 0.075 μm (3 μ inches) min,
Base nickel 0.625 μm (25 μ inches) min.
2. Coplanarity deviation: 0.004 inches max.

TOLERANCE	X± X X±
UNIT	m/m
SCALE	3: 1
REV	3