

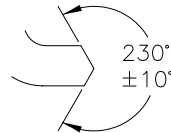
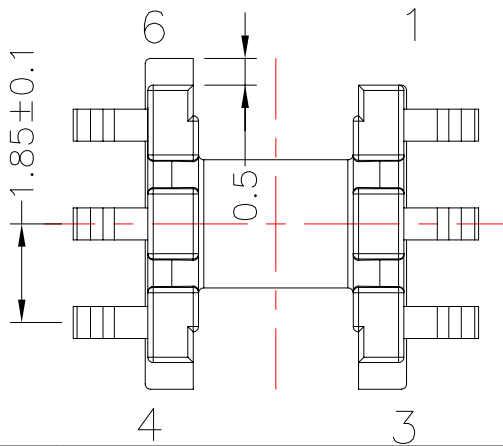
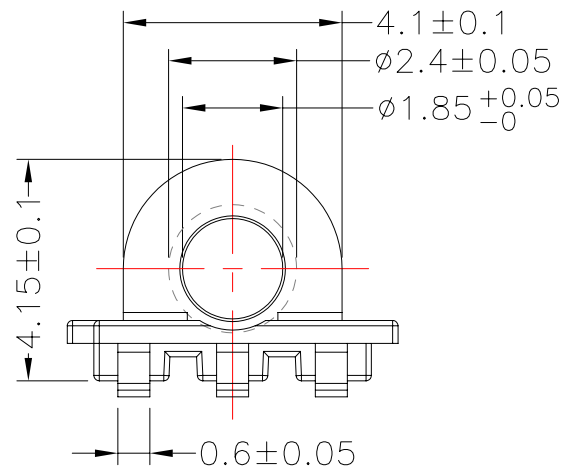
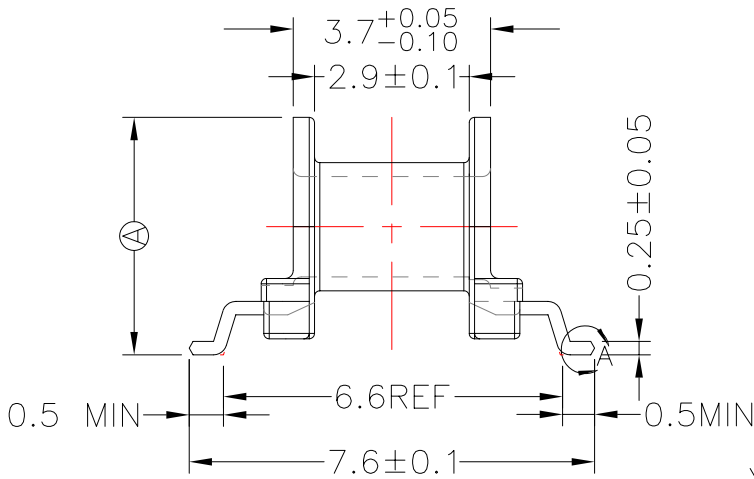
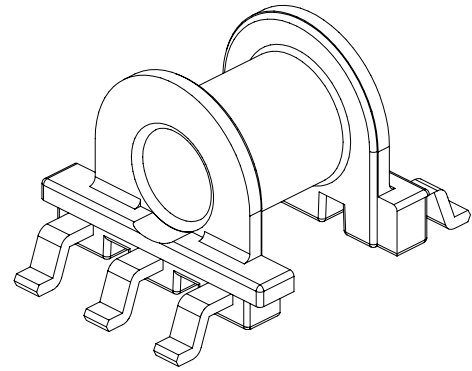
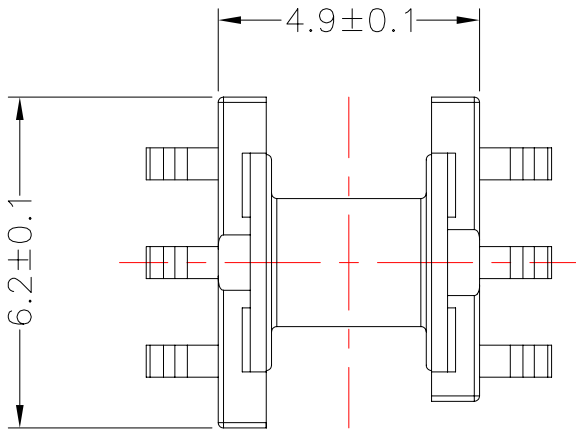


**TRANSFORMER BOBBIN
INDUSTRIAL CO.,LTD.**

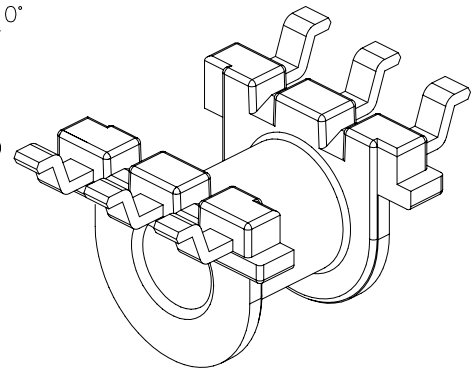
Tel : 86-769-88789999 Fax : 86-769-88789989
http:// tbi-tw.com e-mail : tb6688@ms46.hinet.net

REVISIONS

REV	SYM	DRAFTER	CHECKER	DATE
1		S.Y.TANG	G.F.YANG	12/26/08
2				
3				



DETAIL:A
PATENTED



DWG NO.	EP5-6P-GW-1.85-A7-11				
PART NO.	MATERIAL (BOBBIN)	MATERIAL (TERMINAL)	TERMINAL (PLATING)	PIN ALLOCATION	NOTE
TBI-103-01171.1103	PM-9630	P.B	Sn	ALL PIN (A) =4.45±0.15	
TBI-103-01171.1113	PM-9630	P.B	Sn	CUT PIN # 2, 5 (A)=4.45±0.15	
TBI-103-01171.1123	PM-9630	P.B	Sn	ALL PIN (A) =4.25+0.2/-0	
TBI-103-01171.1133	PM-9630	P.B	Sn	CUT PIN # 5 (A)=4.45±0.15	
	TOLERANCE: .X±0.15 .XX±0.10 .XXX±0.05			UNIT : m / m	SCALE 7 : 1

Finish: 1. Pb wire Immersion Sn on terminal : Thickness:Sn plating,100,5 μm (200 μ inches) min,Base nickel 0.625 μm (25 μ inches) min.
2. CP wire Immersion Sn on terminal : Thickness:Sn plating,100,5 μm (200 μ inches) min.
3. Coplanarity deviation: 0.10 mm (0.004 inches) max.

REV 1