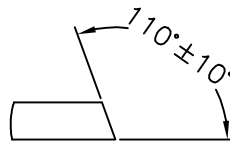
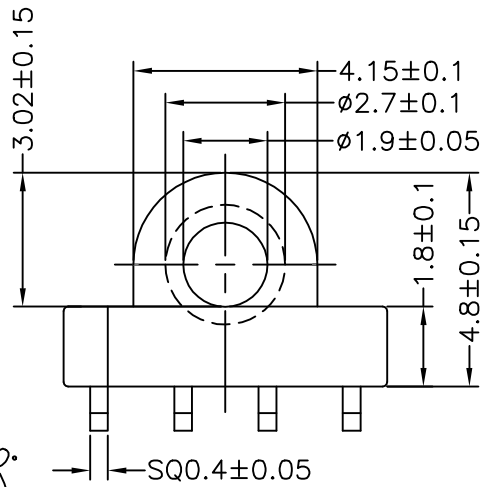
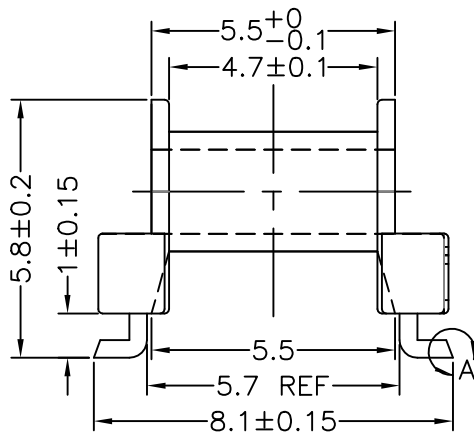
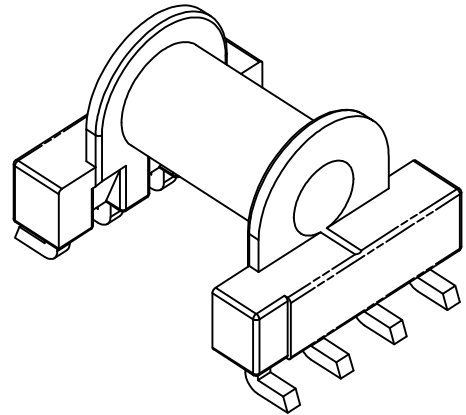
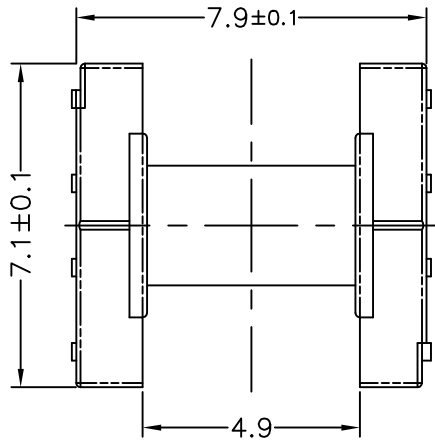


TBI TRANSFORMER BOBBIN INDUSTRIAL CO.,LTD.

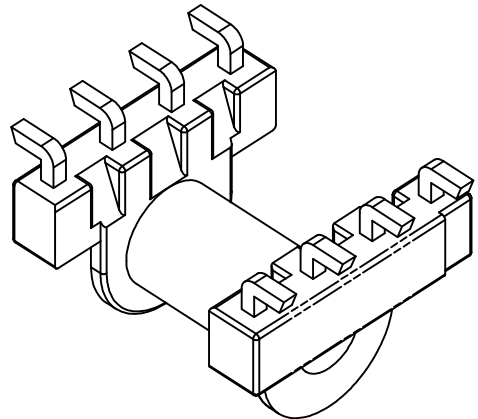
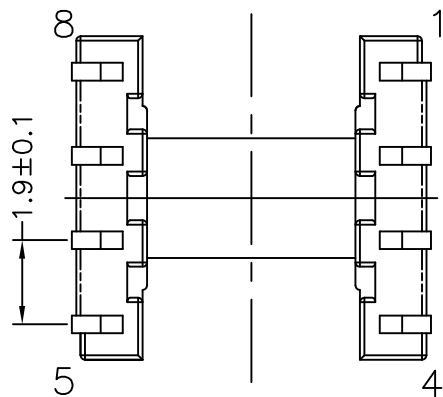
Phone 886-2-22929999 Fax 886-2-22925263
E-MAIL: tb6688@ms46.hinet.net

REVISIONS

REV	SYM	DRAFTER	CHECKER	DATE
△		T.S.LII	W.H.HSU	05/14/03
△		T.S.LII	W.H.HSU	05/15/03
△		T.S.LII	W.H.HSU	06/05/03



DETAIL:A
PATENTED
△ 05/14/03



PART NO.	EP5XL-8P-L-1.9-E-1							
DWG NO.	TBI-103-01051.1XX							
TBI NO.	MATERIAL (BOBBIN)	MATERIAL (TERMINAL)	TERMINAL (PLATING)			.103	ALL PIN	
103-01051.103	PM-9630	P.B	Sn	PART NO.	REV	MODE NO	PIN LOCATION	
				Finish: 1-1. Immersion gold on terminal. Thickness gold 0.075 μm (3 μ inches) min, Base nickel 0.625 μm (25 μ inches) min. 1-2. Immersion Sn on terminal. Terminal:Sn plating,100, 5 μm (200 μ inches) min Base nickel 0.625 μm (25 μ inches) min. 1-3. Immersion Sn/Pb on terminal. Terminal:Sn/Pb plating,90/10, 5 μm (200 μ inches) min Base nickel 0.625 μm (25 μ inches) min. (for pin GW type) 2. Coplanarity deviation: 0.004 inches max.			TOLERANCE	X ± 0.15 .XX ± 0.10 .XXX ± 0.05
							UNIT	m/m
							SCALE	6 : 1
							REV	3