

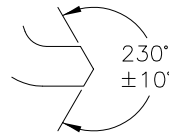
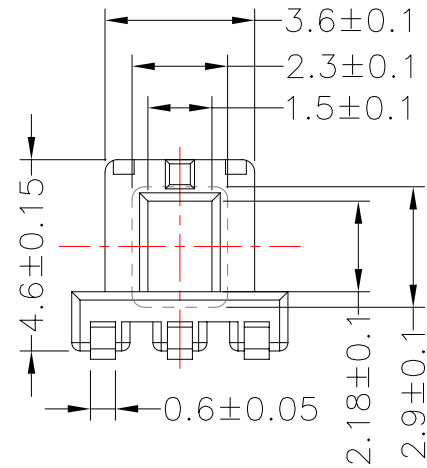
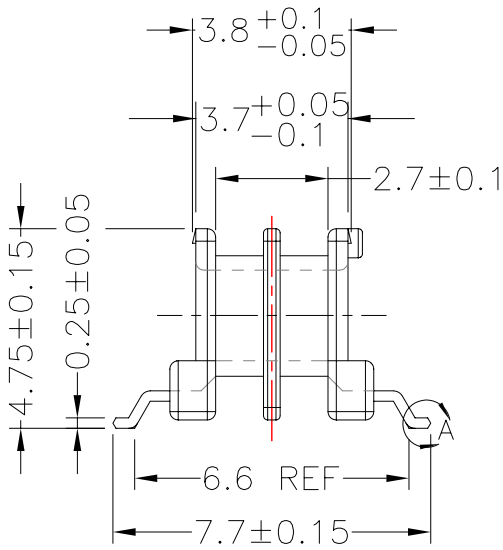
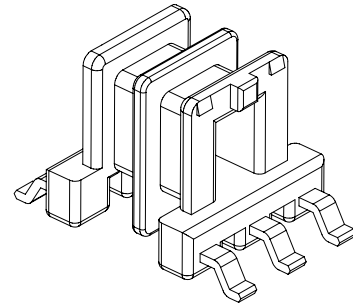
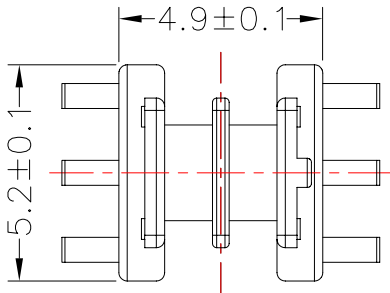


TRANSFORMER BOBBIN
INDUSTRIAL CO.,LTD.

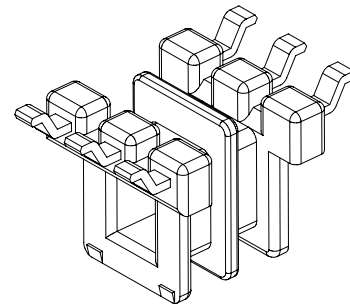
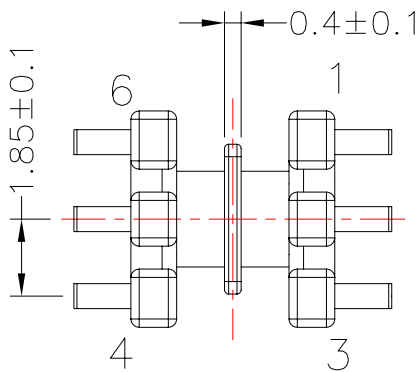
Tel : 86-769-88789999 Fax : 86-769-88789989
http:// tbi-tw.com e-mail : tb6688@ms46.hinet.net

REVISIONS

REV	SYM	DRAFTER	CHECKER	DATE
3		T.S.LII	W.H.HSU	06/01/03
4		T.S.LII	W.H.HSU	07/24/06
5		T.S.LII	W.H.HSU	04/02/07



DETAIL:A
PATENTED



DWG NO.	EE5.0-6P-GW-1.85-A-1-2S				
PART NO.	MATERIAL (BOBBIN)	MATERIAL (TERMINAL)	TERMINAL (PLATING)	PIN ALLOCATION	NOTE
TBI-101-01012.103	PM-9630	PB	Sn	ALL PIN	
TBI-101-01012.113	PM-9630	PB	Sn	CUT PIN #5	H
TBI-101-01012.123	PM-9630	PB	Sn	CUT PIN #2,5	
TOLERANCE: .X±0.15 .XX±0.10 .XXX±0.05				UNIT : m / m	SCALE 5.5 : 1
Finish: 1. PB wire Immersion Sn on terminal : Thickness:Sn plating,100,5 μm (200 μ inches) min,Base nickel 0.625 μm (25 μ inches) min. 2. CP wire Immersion Sn on terminal : Thickness:Sn plating,100,5 μm (200 μ inches) min. 3. Coplanarity deviation: 0.10 mm (0.004 inches) max.					REV 5