

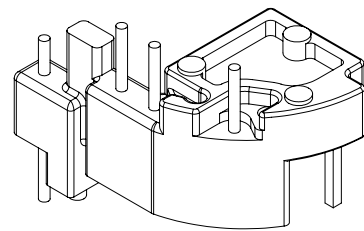
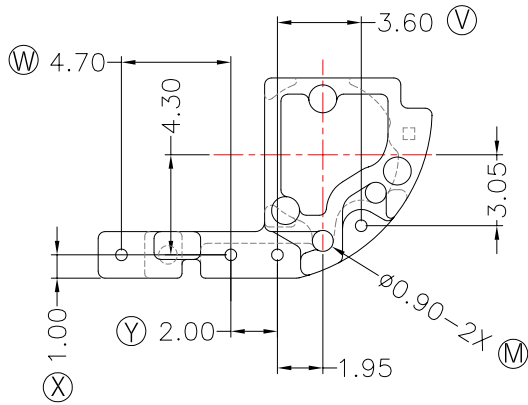
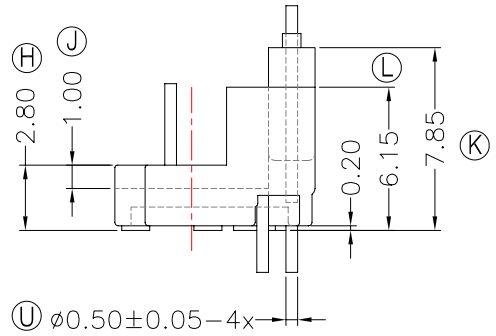
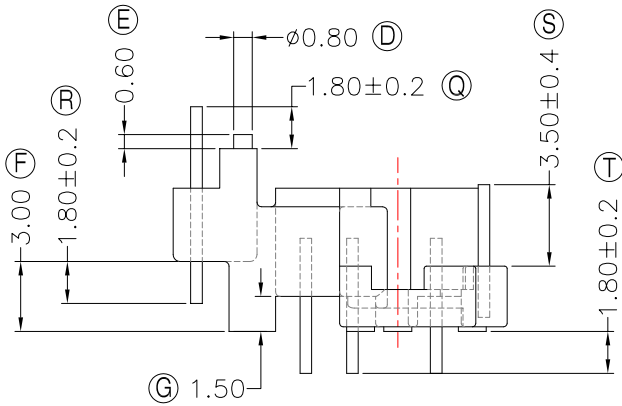
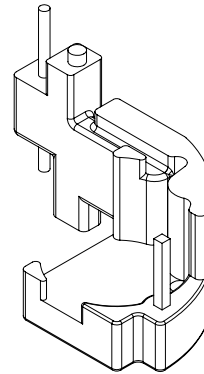
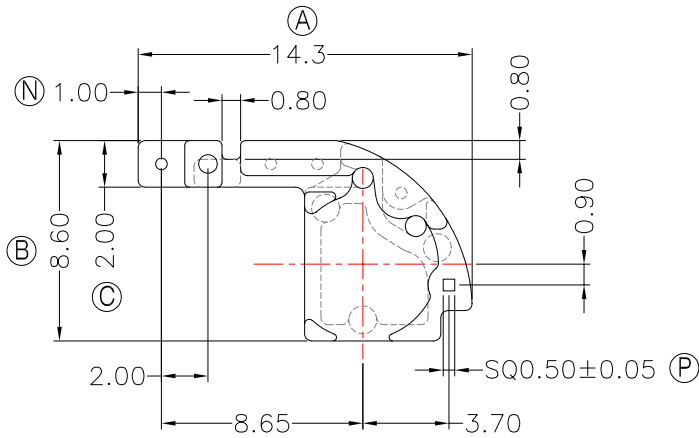


TRANSFORMER BOBBIN INDUSTRIAL CO.,LTD.

Tel : 86-769-88789999 Fax : 86-769-88789989
 http:// tbi-tw.com e-mail : tb6688@ms46.hinet.net

REVISIONS

REV	SYM	DRAFTER	CHECKER	DATE
1		X.H.GU	G.F.YANG	10/29/12
2				
3				



DWG NO. B14X9-5P-TH-A-11

PART NO. MATERIAL (BOBBIN) MATERIAL (TERMINAL) TERMINAL (PLATING) PIN ALLOCATION NOTE

TBI-220-43011.1106 PM-9630 CP WIRE Sn ALL PIN S

TOLERANCE: 0<L<=4:±0.1 4<L<=16:±0.2 16<L<=63:±0.3

UNIT : m / m

SCALE 1 : 1

Finish: 1. PB wire Immersion Sn on terminal : Thickness:Sn plating,100,5 µm (200 µ inches) min,Base nickel 0.625 µm (25 µ inches) min.

2. CP wire Immersion Sn on terminal : Thickness:Sn plating,100,5 µm (200 µ inches) min.

3. Coplanarity deviation: 0.10 mm (0.004 inches) max.

REV 1