

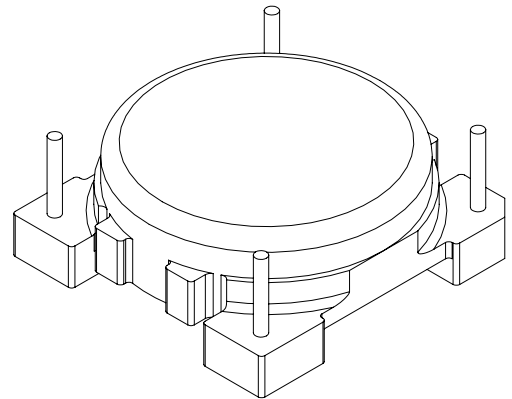
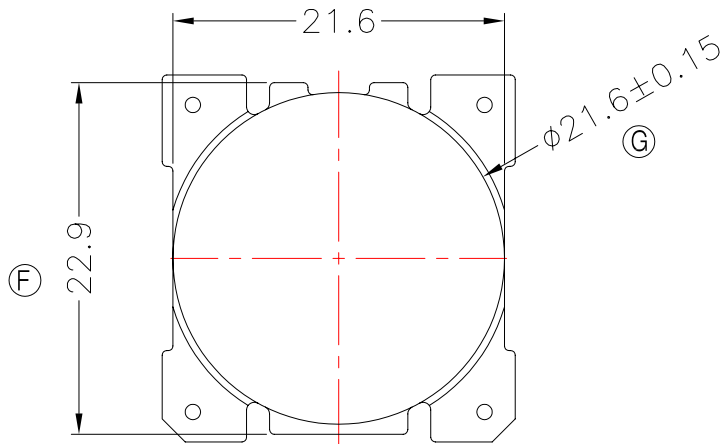
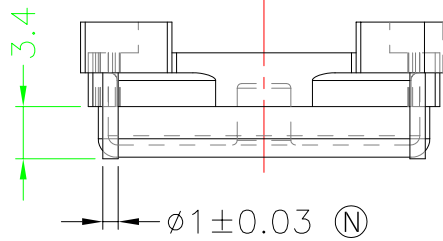
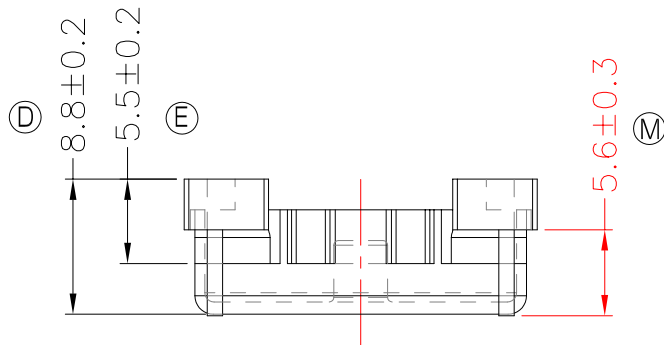
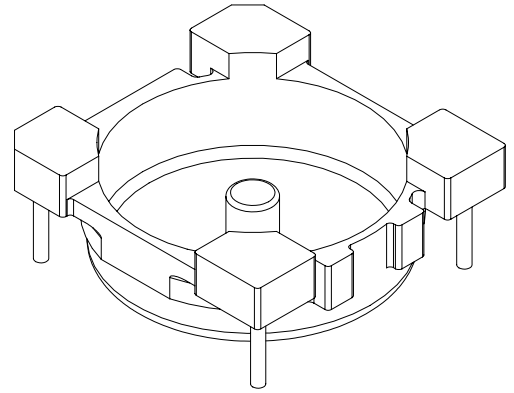
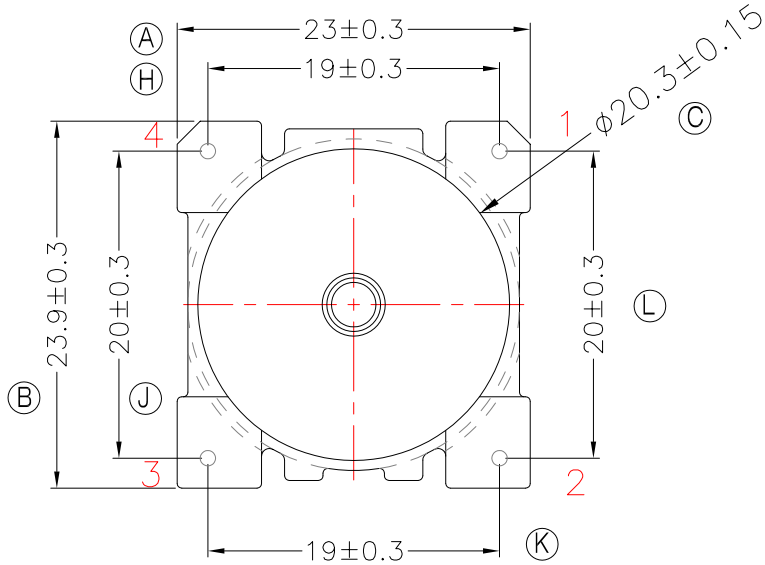


TRANSFORMER BOBBIN
INDUSTRIAL CO.,LTD.

Tel : 86-769-88789999 Fax : 86-769-88789999
http:// tbi-tw.com e-mail : tb6688@ms46.hinet.net

REVISIONS

| REV | SYM | DRAFTER | CHECKER | DATE |
|-----|-----|---------|----------|----------|
| 1 | | X.H.GU | G.F.YANG | 09/07/10 |
| 2 | | X.H.GU | G.F.YANG | 10/29/10 |
| 3 | | | | |



NOTE: 產品頂部共面度0.2 MAX;

| | | | | | |
|--------------------|-----------------------|---------------------|--------------------|----------------|-------------|
| DWG NO. | OR18X6-12C-BASE-B6-12 | | | | |
| PART NO. | MATERIAL (BOBBIN) | MATERIAL (TERMINAL) | TERMINAL (PLATING) | PIN ALLOCATION | NOTE |
| TBI-220-16261.1206 | PM-9820 | CP WIRE | Sn | ALL PIN | S |
| TBI-220-16261.1216 | PM-9820 | CP WIRE | Sn | CUT PIN #4 | H |
| | | | | | |
| | | | | | |
| | | | | | |
| | | | | | |
| | TOLERANCE: ±0.2 | | | UNIT : m / m | SCALE 1 : 1 |

Finish: 1. PB wire Immersion Sn on terminal : Thickness:Sn plating,100,5 μm (200 μ inches) min,Base nickel 0.625 μm (25 μ inches) min.
2. CP wire Immersion Sn on terminal : Thickness:Sn plating,100,5 μm (200 μ inches) min.
3. Coplanarity deviation: 0.10 mm (0.004 inches) max.

| | |
|-----|---|
| REV | 2 |
|-----|---|