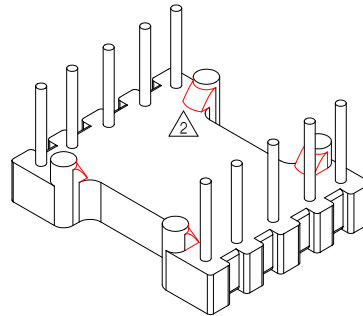
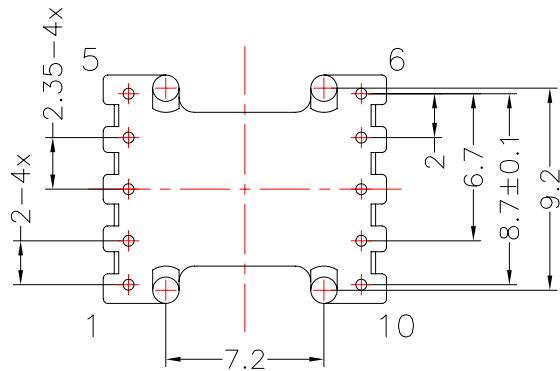
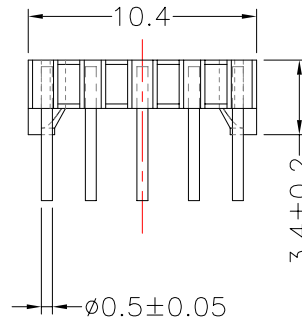
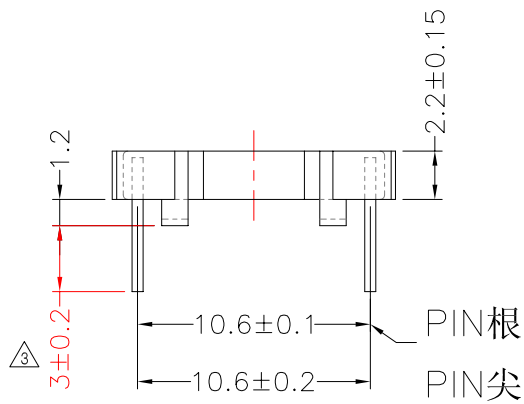
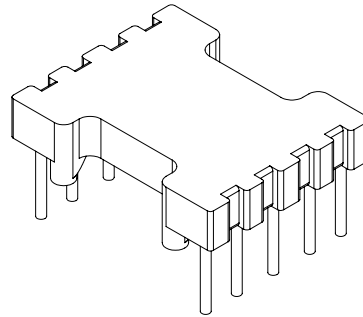
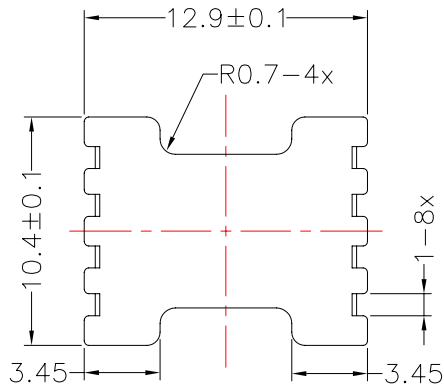




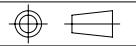
TRANSFORMER BOBBIN INDUSTRIAL CO.,LTD.

Tel : 86-769-88789999 Fax : 86-769-88789989
 http:// tbi-tw.com e-mail : tb6688@ms46.hinet.net

REVISIONS				
REV	SYM	DRAFTER	CHECKER	DATE
①		YAN.TANG	G.F.YANG	11/23/07
②		YAN.TANG	G.F.YANG	03/19/10
③		YAN.TANG	G.F.YANG	10/21/10



DWG NO.	B13X11-10P-TH-2.0-C-12				
PART NO.	MATERIAL (BOBBIN)	MATERIAL (TERMINAL)	TERMINAL (PLATING)	PIN ALLOCATION	NOTE
TBI-220-11031.1206	PM-9820	CP WIRE	Sn	ALL PIN	S
TBI-220-11031.1216	PM-9820	CP WIRE	Sn	CUT PIN #2,3,4,8	53GB13X11101 H
TBI-220-11031.1226	PM-9820	CP WIRE	Sn	CUT PN #3,8	53GB13X11102
TBI-220-11031.1236	PM-9820	CP WIRE	Sn	CUT PIN #2,4,8	53GB13X11103
TBI-220-11031.1246	PM-9820	CP WIRE	Sn	CUT PIN #2,3,4,7,8,9	53GB13X11104
TBI-220-11031.1256	PM-9820	CP WIRE	Sn	CUT PIN #7,9	53GB13X11105
TBI-220-11031.1266	PM-9820	CP WIRE	Sn	CUT PIN #4,6,8,10	53GB13X11106
TBI-220-11031.1276	PM-9820	CP WIRE	Sn	CUT PIN #1,3,5,6,8,10	53GB13X11107



TOLERANCE: .X±0.15 .XX±0.10 .XXX±0.05

UNIT : m / m SCALE 3 : 1

Finish: 1. PB wire Immersion Sn on terminal : Thickness:Sn plating,100,5 μm (200 μ inches) min,Base nickel 0.625 μm (25 μ inches) min.
 2. CP wire Immersion Sn on terminal : Thickness:Sn plating,100,5 μm (200 μ inches) min.
 3. Coplanarity deviation: 0.10 mm (0.004 inches)max.

REV	3
-----	---