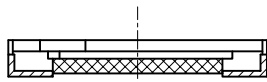
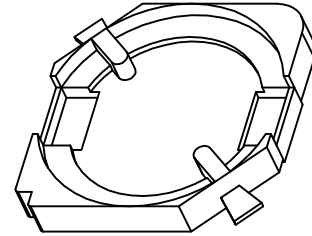
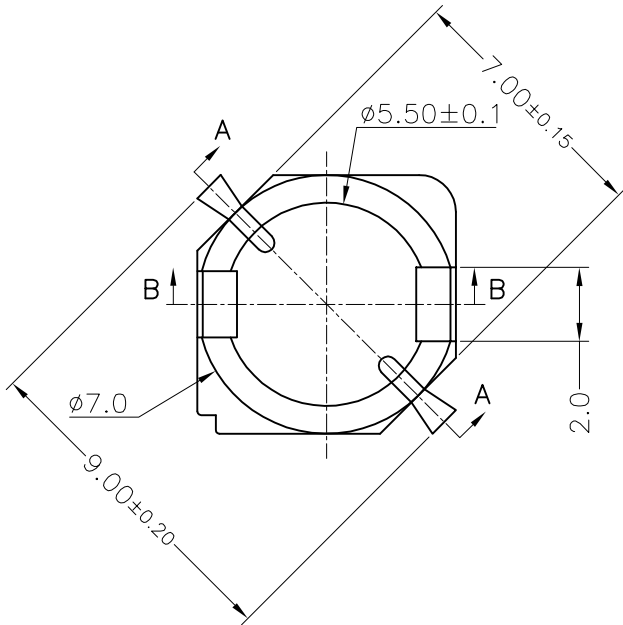


**TBI** TRANSFORMER BOBBIN INDUSTRIAL CO., LTD.

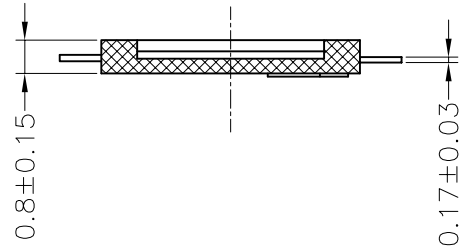
Phone 886-2-22929999 Fax 886-2-22925263  
E-MAIL: tb6688@ms46.hinet.net

REVISIONS

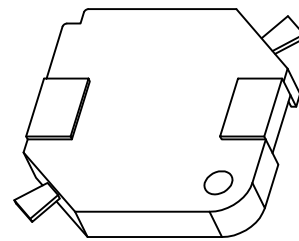
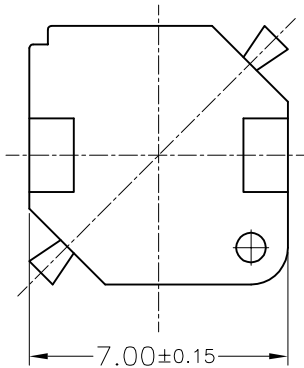
REV	SYM	DRAFTER	CHECKER	DATE
△		T.S.LII	W.H.HSU	07/20/04
△				
△				



B-B SECTION



A-A SECTION



PART NO.	7032T-2P-A-3							
DWG NO.	TBI-120-03011.3XX							
TBI NO.	MATERIAL (BASE)	MATERIAL (TERMINAL)	TERMINAL (PLATING)					
120-03011.303	LCP	P.B	Sn		.303		ALL PIN	
				PART NO.	REV	MODE NO	PIN LOCATION	
				Finish: 1-1. Immersion gold on terminal. Thickness gold 0.075 μm (3 μ inches) min, Base nickel 0.625 μm (25 μ inches) min. 1-2. Immersion Sn on terminal. Terminal:Sn plating,100, 5 μm (200 μ inches) min Base nickel 0.625 μm (25 μ inches) min. 1-3. Immersion Sn/Pb on terminal. Terminal:Sn/Pb plating,90/10, 5 μm (200 μ inches) min Base nickel 0.625 μm (25 μ inches) min. (for pin GW type) 2. Coplanarity deviation: 0.004 inches max.			TOLERANCE	.X ±0.15 .XX ±0.10 .XXX ±0.05
							UNIT	m/m
							SCALE	5 : 1
							REV	1