

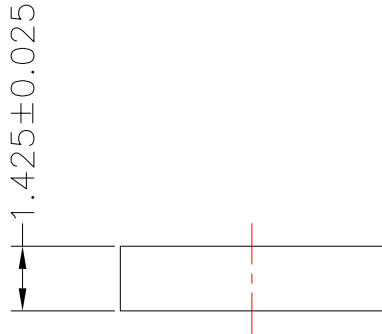
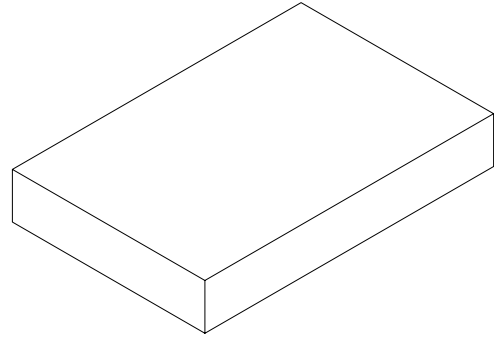
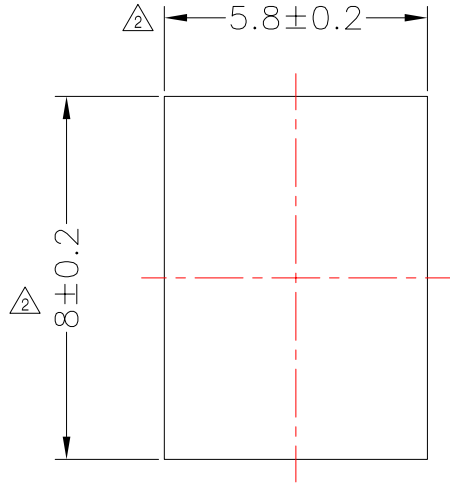


**TRANSFORMER BOBBIN  
INDUSTRIAL CO.,LTD.**

Tel : 86-769-88789999 Fax : 86-769-88789989  
 http:// tbi-tw.com e-mail : tb6688@ms46.hinet.net

REVISIONS

REV	SYM	DRAFTER	CHECKER	DATE
①		S.Y.TANG	G.F.YANG	01/29/08
②		S.Y.TANG	G.F.YANG	03/28/08
③		S.Y.TANG	G.F.YANG	04/03/08



DWG NO.	B6X8-NA-B-72				
PART NO.	MATERIAL (BOBBIN)	MATERIAL (TERMINAL)	TERMINAL (PLATING)	PIN ALLOCATION	NOTE
TBI-220-19021.72	FR50 (BK) ③				

	TOLERANCE: .X±0.15 .XX±0.10 .XXX±0.05	UNIT : m / m	SCALE 6: 1
	<b>Finish:</b> 1. Pb wire Immersion Sn on terminal : Thickness:Sn plating,100,5 μm (200 μ inches) min,Base nickel 0.625 μm (25 μ inches) min. 2. CP wire Immersion Sn on terminal : Thickness:Sn plating,100,5 μm (200 μ inches) min. 3. Coplanarity deviation: 0.10 mm (0.004 inches )max.	REV	3