



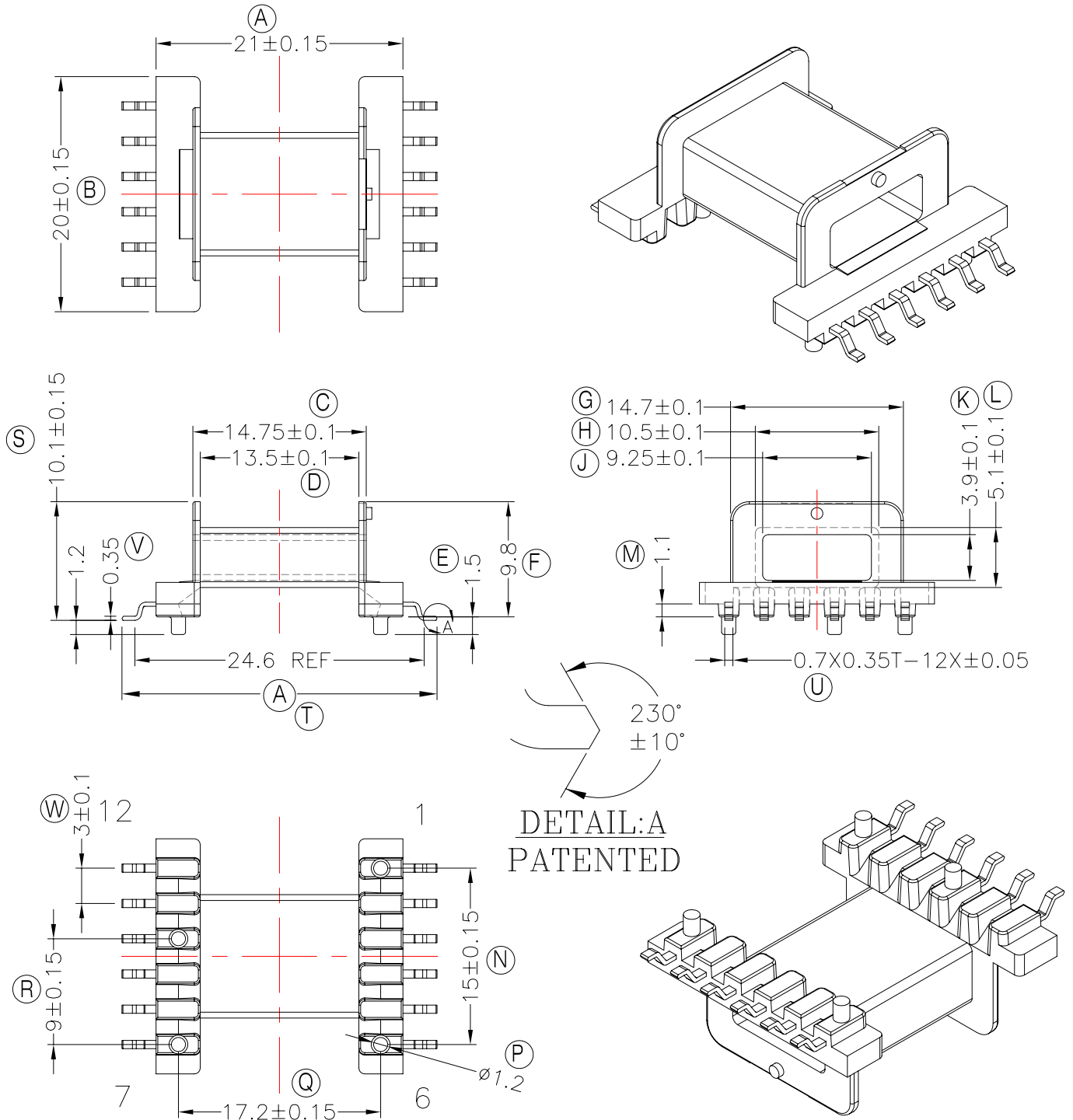
**TRANSFORMER BOBBIN
INDUSTRIAL CO.,LTD.**

Tel : 86-769-88789999 Fax : 86-769-88789989
http:// tbi-tw.com e-mail : tb6688@ms46.hinet.net

REVISIONS				
REV	SYM	DRAFTER	CHECKER	DATE
①		T.S.LII	W.H.HSU	01/25/07
②				
③				

A
B
C
D
E
F

A
B
C
D
E
F



DWG NO.	EFD20-12P-GW-3.0-0J-1				
PART NO.	MATERIAL (BOBBIN)	MATERIAL (TERMINAL)	TERMINAL (PLATING)	PIN ALLOCATION	NOTE
TBI-107-01091.103	PM-9630	P.B	Sn	ALL PIN (A)=26.8±0.3	H
TBI-107-01091.113	PM-9630	P.B	Sn	CUT PIN4,9 (A)=28.6±0.2	
TOLERANCE: .X±0.15 .XX±0.10 .XXX±0.05			UNIT : m/m		SCALE 2:1
Finish:	1. Pb wire Immersion Sn on terminal : Thickness:Sn plating,100,5 μm (200 μ inches) min,Base nickel 0.625 μm (25 μ inches) min. 2. CP wire Immersion Sn on terminal : Thickness:Sn plating,100,5 μm (200 μ inches) min. 3. Coplanarity deviation: 0.10 mm (0.004 inches) max.				REV 1